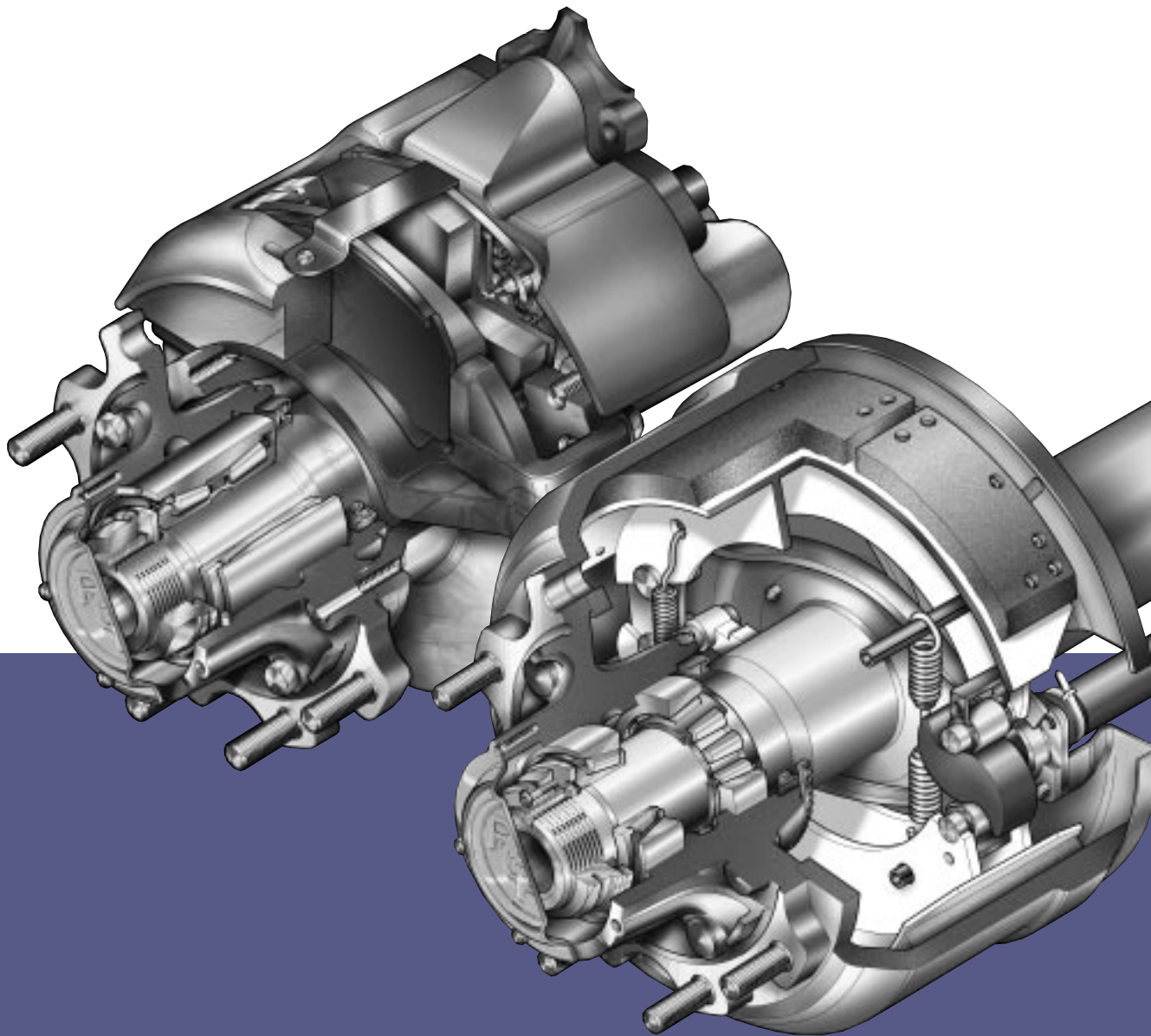




an **ArvinMeritor** brand

Meritor Axle & Brake Parts List

TA and TAC Series Axles including Disc and Drum Brake variants

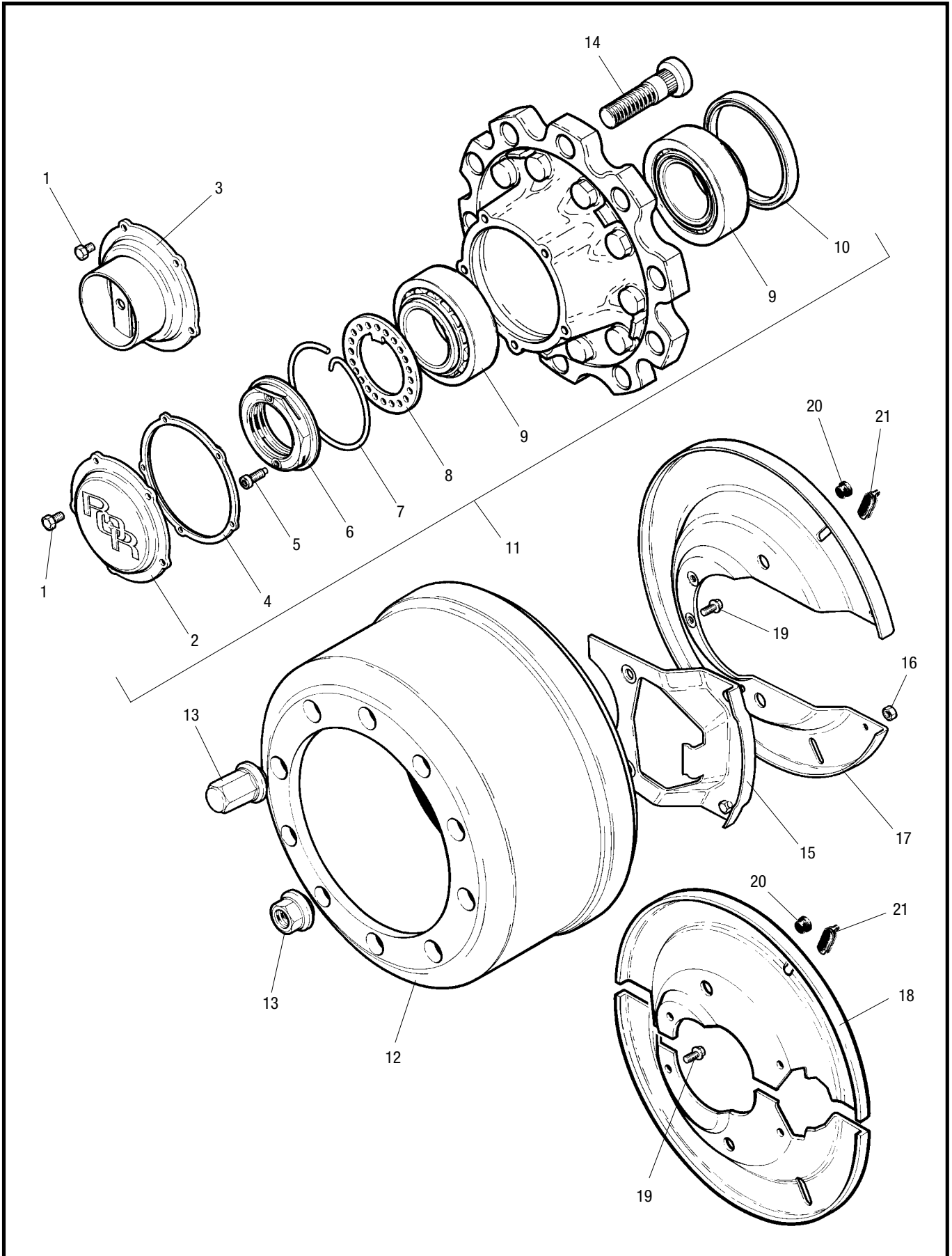


ArvinMeritor[™]



an ArvinMeritor brand

TA Parts List





an ArvinMeritor brand

TA Parts List

TA Hub Assembly Parts List

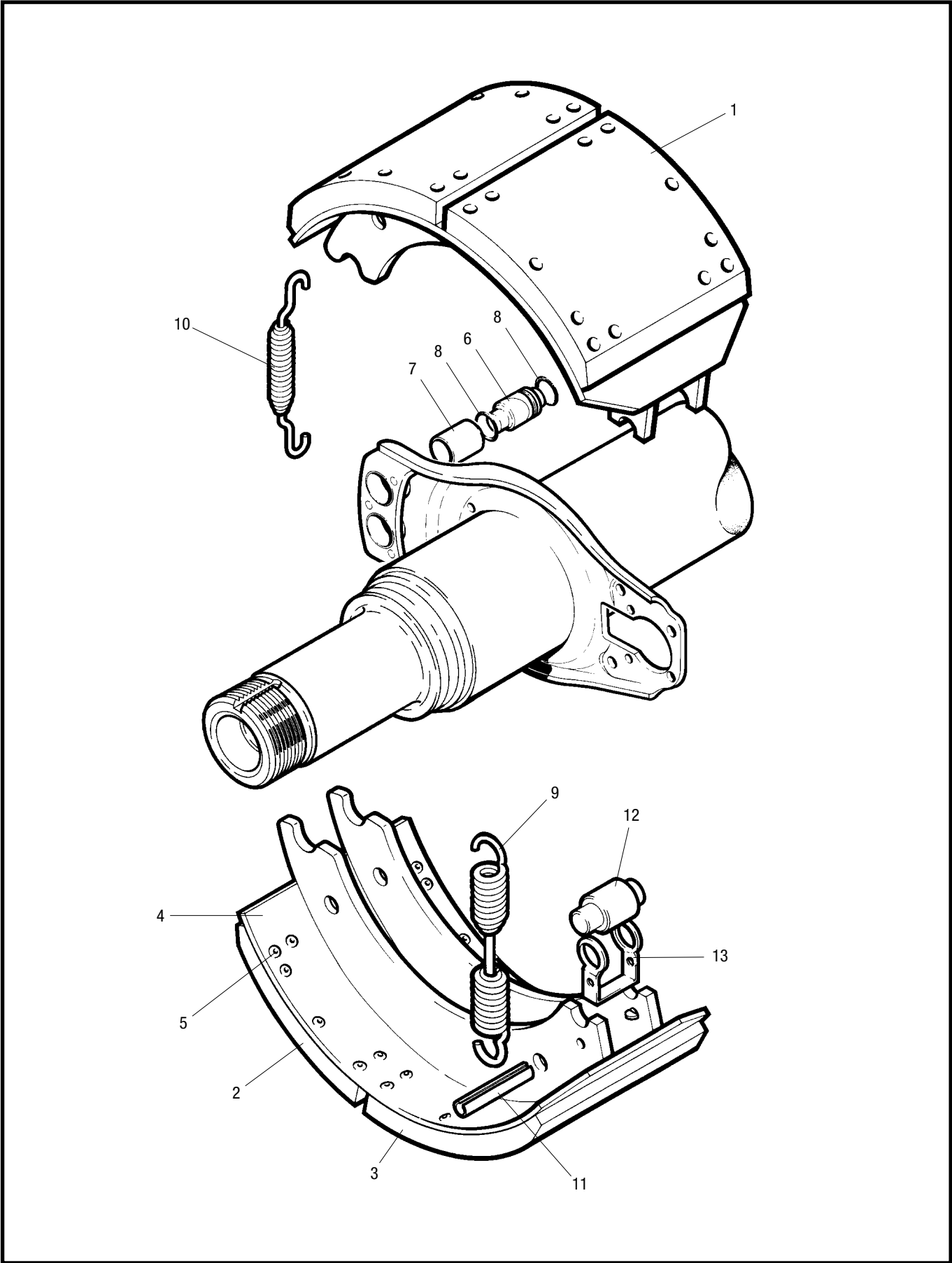
| Item | Description | Part Number |
|------|---|------------------------|
| 1 | Screw, Hub Cap | 99543001 |
| 2 | Hub Cap | 21226038 |
| 3 | Hub Cap – Hubodometer | 21226118 |
| 4 | Gasket, Hub Cap | 21226119 |
| 5 | Screw, Pinch Nut | 21224864 |
| 6 | Pinch Nut | 21226003 |
| 7 | Retaining Clip | 21226117 |
| 8 | Retaining Washer | 21226090 |
| 9 | Bearing, Inner & Outer | 99041035 |
| 10 | Oil Seal | 21200321A |
| 11 | Hub Assembly, Separate Bearing, Twin & Single Wheel | 14226120 |
| 12 | Brake Drum, 420 x 180 'Q' | 21018986 |
| 12 | Brake Drum, 420 x 220 'Z' | 21021114A |
| 13 | Wheel Nut | see table below |
| 14 | Wheel Bolt, Steel Single Wheel | 21022167 |
| 14 | Wheel Bolt, Steel Twin Wheel, Aluminium Single Wheel | 21020997 |
| 14 | Wheel Bolt, Aluminium Twin Wheel | 21206355 |
| 15 | Filler Plate, Dust Cover, 420 x 180 'Q' Brake only | 15224518 |
| 16 | Nut, Filler Plate, Dust Cover, 420 x 180 'Q' Brake only | 99544000 |
| 17 | Dust Cover, 420 x 180 'Q' Brake only | 21224522 |
| 18 | Dust Cover Pair, 420 x 220 'Z' Brake only | { 21221567 15221568 |
| 19 | Screw, Dust Cover, 'Q' & 'Z' | 99535001 |
| 20 | Plug, Blanking, 'Q' & 'Z' | 21211385 |
| 21 | Plug, Inspection, 'Q' & 'Z' | 21220719 |
| 22 | 400g Cartridge MERITOR Hub Grease (not shown) | 99538007 |
| 23 | 100g Tube Optimol Optimoly White Paste T (not shown) | 99538009 |

| WHEEL NUTS 32mm ACROSS FLATS | | |
|------------------------------|---------------|--------------------|
| NEW PART NUMBER | TYPE | FINISH COATING |
| 21226395 | STANDARD OPEN | PHOSPHATE & OIL |
| 21226396 | STANDARD OPEN | DACROMET 500 & OIL |
| 21226397 | CLOSED END | PHOSPHATE & OIL |
| 21226484 | CLOSED END | DACROMET 500 & OIL |



an ArvinMeritor brand

TA Parts List





an ArvinMeritor brand

TA Parts List

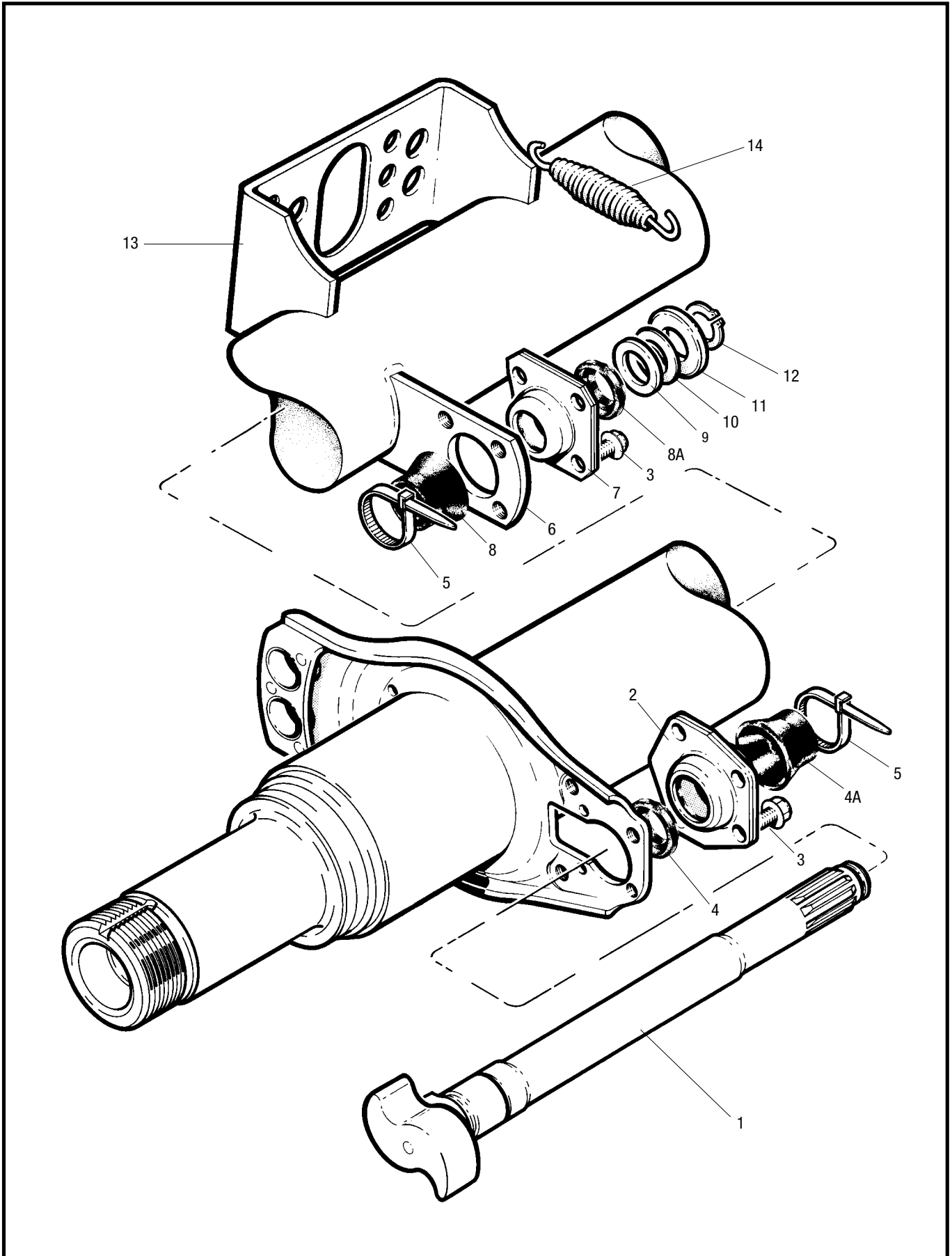
TA Brake Assembly Parts List

| Item | Description | 'Q' 420 x 180 | 'Z' 420 x 220 |
|------|---------------------------|---------------|---------------|
| 1 | Brake Shoe Lined Assembly | 15205536E | 15205192E |
| 2 | Brake Lining, Anchor End | 21200790E | 21200794E |
| 3 | Brake Lining, Cam End | 21200791E | 21200795E |
| 4 | Brake Shoe Unlined | 15205533 | 15205191 |
| 5 | Rivet | 21200761 | 21200761 |
| 6 | Anchor Pin | 21205193G | 21205193G |
| 7 | Bush, Anchor Pin | 21221028 | 21221028 |
| 8 | 'O' Ring, Anchor Pin | 21220668 | 21220668 |
| 9 | Release Spring | 21221224 | 21221224 |
| 10 | Retainer Spring | 21205194 | 21205194 |
| 11 | Pin | 21220171 | 21220171 |
| 12 | Cam Roller | 21006610 | 21006610 |
| 13 | Roller Retaining Clip | 21224831 | 21224831 |



an ArvinMeritor brand

TA Parts List





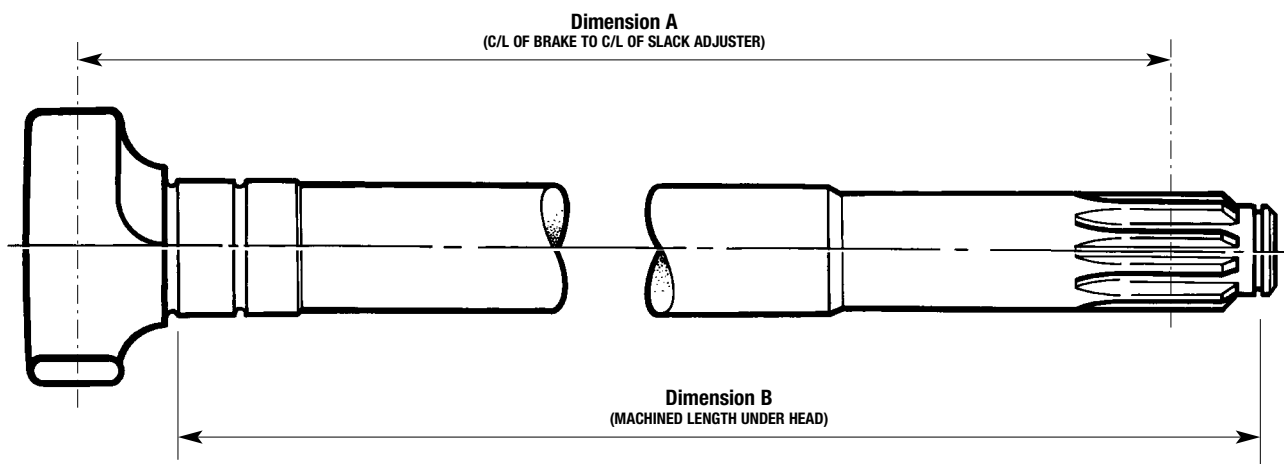
an ArvinMeritor brand

TA Parts List

TA Camshaft Assembly Parts List – up to Jan 2001

| Item | Description | Part Number |
|------|---|-----------------|
| 1 | Camshaft LH/RH | See table below |
| 2 | Cam Head Bearing Assembly | 15224821 |
| 3 | Screw, Bearing | 99535001 |
| 4 | Outer Boot, Cam End | 21224729 |
| 4A | Inner Boot, Cam End | 21224730 |
| 5 | Tie Wrap | 21221065 |
| 6 | Camshaft Bracket (axles built after Sept '99) | 21020300 |
| 7 | Spline End Bearing Assembly | 15213430 |
| 8 | Inner Boot, Spline End | 21204849 |
| 8A | Outer Boot, Spline End | 21205667 |
| 9 | Washer, Spacing, Thick | 21006627 |
| 10 | Washer, Spacing, Thin | 21006662 |
| 11 | Retaining Washer | 21219862 |
| 12 | Circlip | 99507030 |
| 13 | Air Chamber Bracket | 21201592 |
| 14 | Assister Spring | 21210215 |
| *15 | 25g Sachet MERITOR Grease (not shown) | 99226786 |

*NB. Item 15 must be used on items 2 & 7.

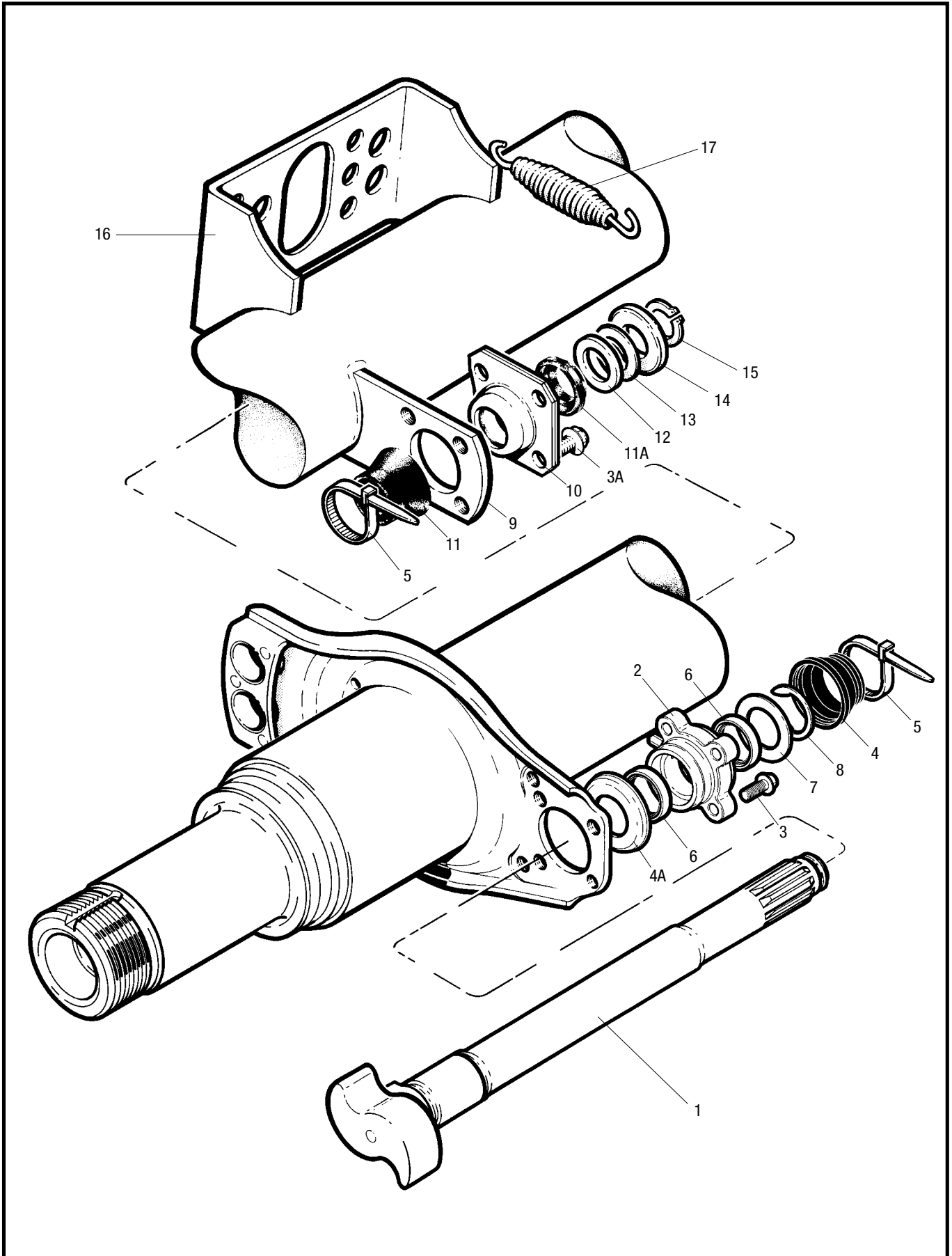


| Dimension 'A' | Dimension 'B' | Part Number | |
|---------------|---------------|-------------|-----------|
| | | Right Hand | Left Hand |
| 229.9 | 232.4 | 21223154 | 21223155 |
| 253.5 | 258.0 | 21222949 | 21222950 |
| 412.2 | 416.7 | 21222183 | 21222184 |
| 475.7 | 480.2 | 21222185 | 21222186 |
| 521.0 | 525.5 | 21221070 | 21221071 |
| 544.5 | 549.0 | 21222700 | 21222701 |
| 564.0 | 568.5 | 21222386 | 21222387 |
| 583.0 | 587.5 | 21221194 | 21221195 |
| 605.5 | 610.0 | 21222187 | 21222188 |
| 622.5 | 627.0 | 21222189 | 21222190 |
| 632.5 | 637.0 | 21222191 | 21222192 |



an ArvinMeritor brand

TA Parts List





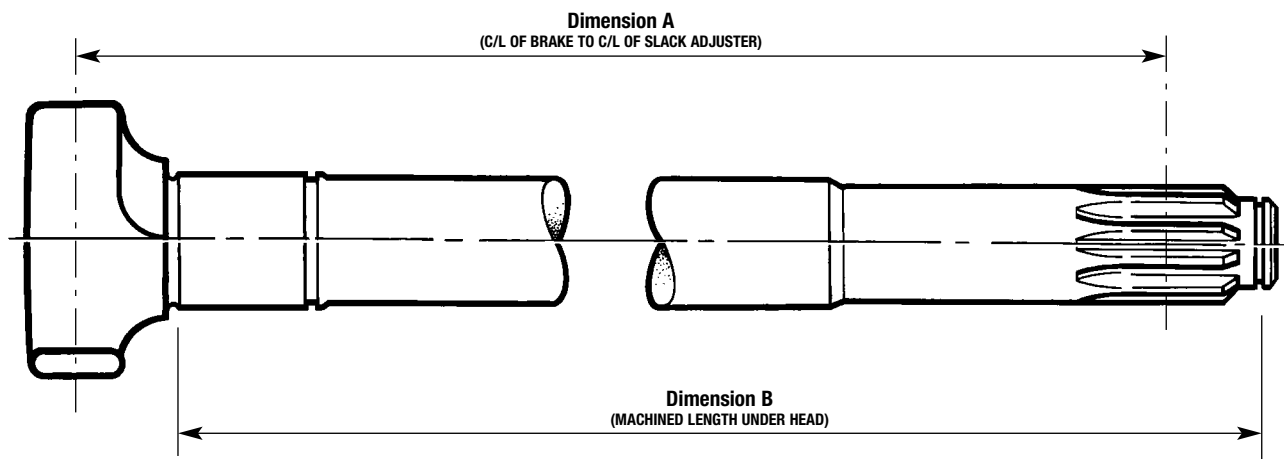
an ArvinMeritor brand

TA Parts List

TA Camshaft Assembly Parts List – from Feb 2001

| Item | Description | Part Number |
|------|---------------------------------------|-----------------|
| 1 | Camshaft LH/RH | See table below |
| 2 | Cam Head Bearing Assembly | A23105Q1213 |
| 3 | Screw, Bearing, Cam End | 99536000 |
| 3 | Screw, Bearing, Spline End | 99536001 |
| 4 | Washer Seal | 1229K4795 |
| 4A | Boot, Cam End | 2260K1155 |
| 5 | Tie Wrap | 21221065 |
| 6 | Lip Seal | A1205S2645 |
| 7 | Washer | 1229S4101 |
| 8 | Snap Ring | 1229T4102 |
| 9 | Camshaft Bracket | 21020300 |
| 10 | Spline End Bearing Assembly | 15213430 |
| 11 | Inner Boot, Spline End | 21204849 |
| 11A | Outer Boot, Spline End | 21205667 |
| 12 | Washer, Spacing, Thick | 21006627 |
| 13 | Washer, Spacing, Thin | 21006662 |
| 14 | Retaining Washer | 21219862 |
| 15 | Circlip | 99507030 |
| 16 | Air Chamber Bracket | 21201592 |
| 17 | Assister Spring | 21210215 |
| *18 | 25g Sachet MERITOR Grease (not shown) | 99226786 |

*NB. Item 18 must be used on items 2 & 10.

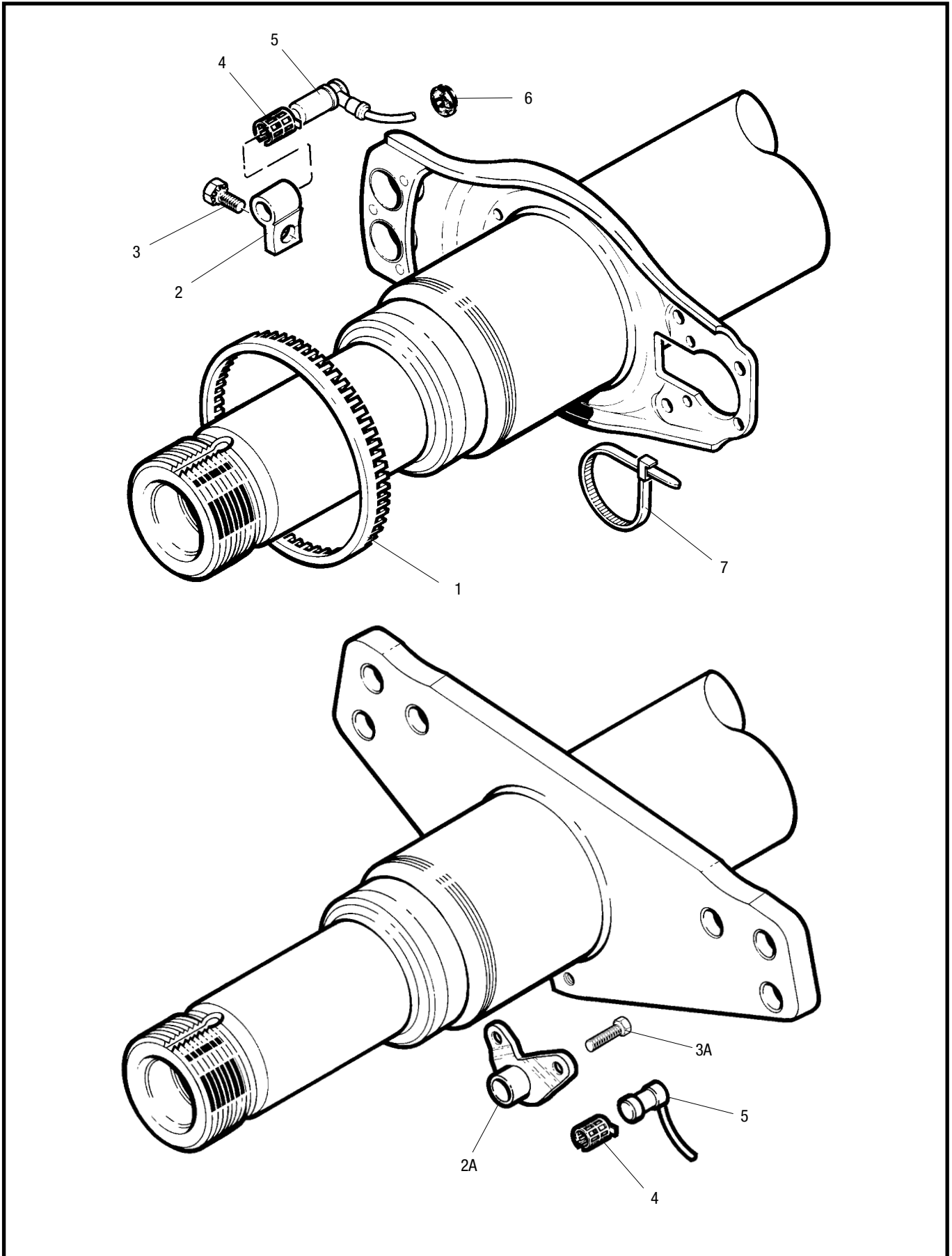


| Dimension 'A' | Dimension 'B' | Part Number | |
|---------------|---------------|-------------|-----------|
| | | Right Hand | Left Hand |
| 229.9 | 232.4 | 21227113 | 21227114 |
| 412.2 | 416.7 | 21227111 | 21227112 |
| 521.0 | 525.5 | 21227109 | 21227110 |
| 583.0 | 587.5 | 21227107 | 21227108 |
| 605.5 | 610.0 | 21227105 | 21227106 |
| 622.5 | 627.0 | 21227103 | 21227104 |
| 632.5 | 637.0 | 21227101 | 21227102 |



an ArvinMeritor brand

TA Parts List





an ArvinMeritor brand

TA Parts List

TA Anti-Lock Assembly Parts List

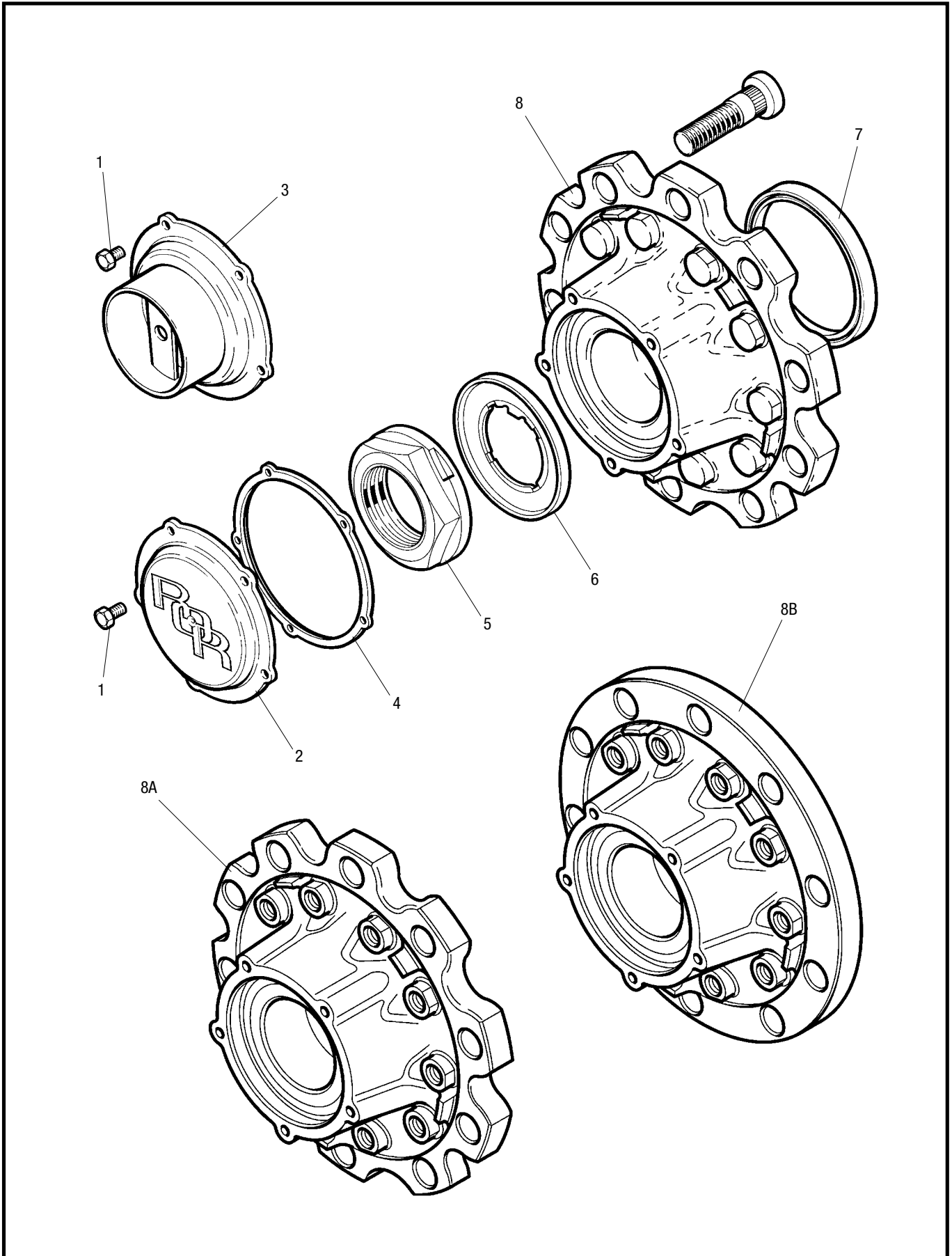
| Item | Description | Part Number |
|------|--|-------------|
| 1 | Pole Wheel, Drum Brake only* | 21213316 |
| 2 | Sensor Block, Drum Brake only | 22224705 |
| 2A | Sensor Bracket, Disc Brake only | 21226355 |
| 3 | Screw, Sensor Block, Drum Brake only | 99541002 |
| 3A | Screw, Sensor Bracket, Disc Brake only | 99543002 |
| 4 | Spring Clip | 21213036 |
| 5 | Sensor | 21213034 |
| 6 | Strain Relief Bush, Drum Brake only | 21222319 |
| 7 | Cable Tie | 21221065 |
| 8 | Grease for Sensor Bush (not shown) | 99226786 |

*For Disc Brake the ABS Pole Wheel is integral to the rotor.



an ArvinMeritor brand

TAC Parts List





an ArvinMeritor brand

TAC Parts List

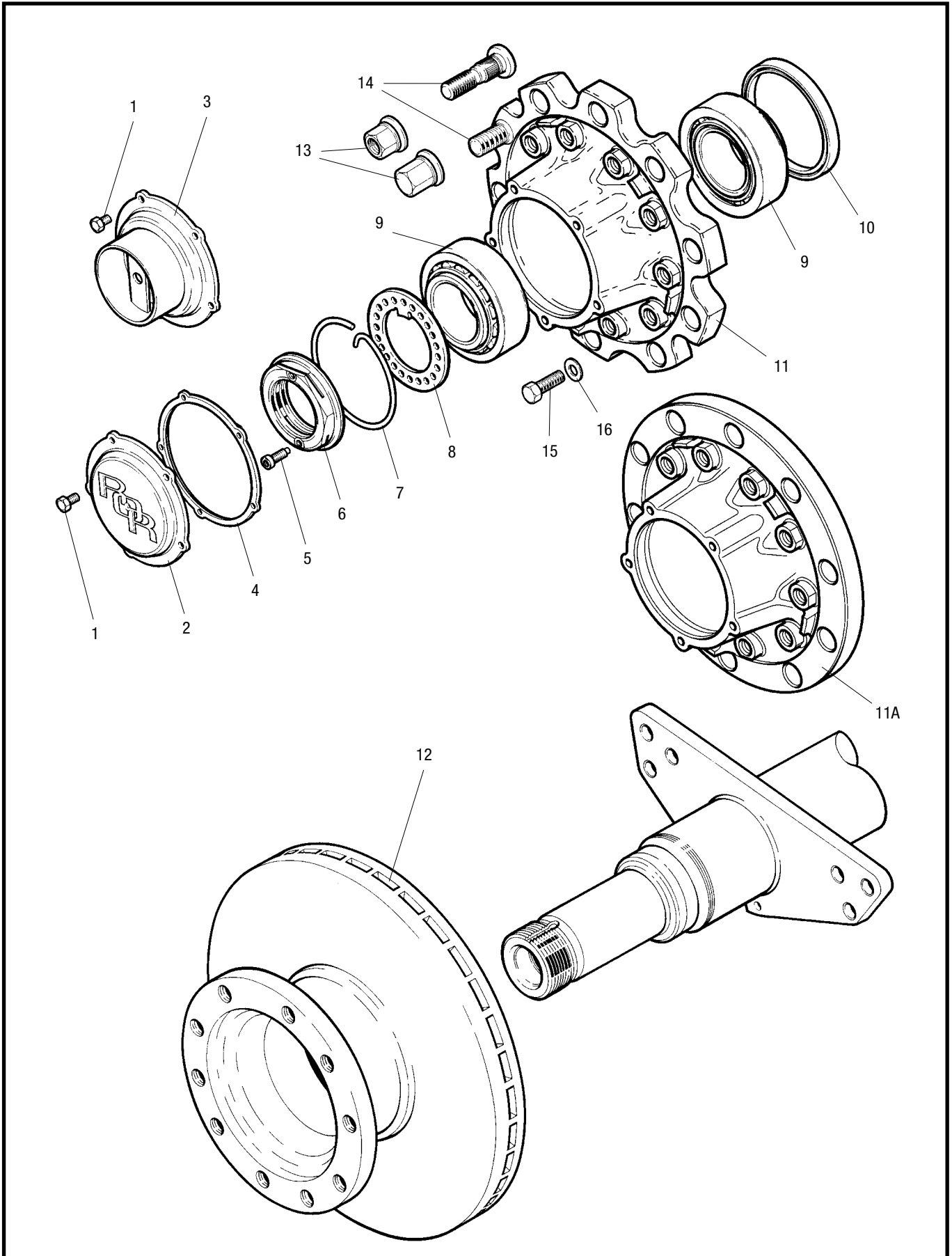
TAC Hub Assembly Parts List

| Item | Description | Part Number |
|------|---|-------------|
| 1 | Screw, Hub Cap | 99543001 |
| 2 | Hub Cap | 21226038 |
| 3 | Hub Cap, Hubodometer | 21226118 |
| 4 | Gasket, Hub Cap | 21226119 |
| 5 | Axle End Nut | 21226032 |
| 6 | Stake Washer Assembly | 21226088 |
| 7 | Auxiliary Oil Seal | 21200321A |
| 8 | Hub Assembly, Drum Brake, Single & Twin Wheel | 14226122 |
| 8A | Hub Assembly, Disc Brake, Twin Wheel only | 14226123 |
| 8B | Hub Assembly, Disc Brake, Single Wheel only | 14226493 |



an ArvinMeritor brand

TA D Duco Parts List





an ArvinMeritor brand

TA D Duco Parts List

TA D Duco Hub, Rotor and ABS Parts List

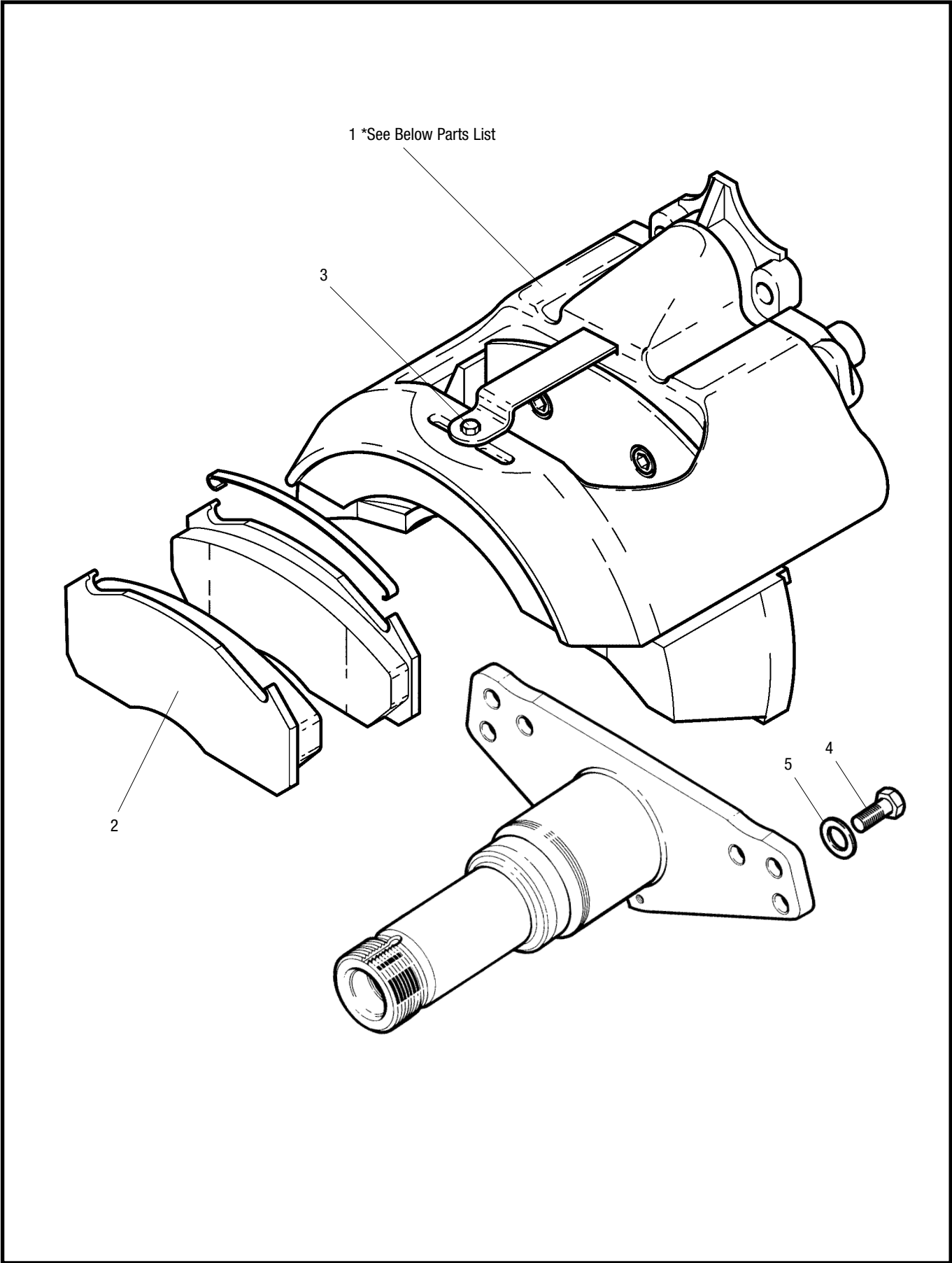
| Item | Description | Part Number |
|------|---|-----------------|
| 1 | Screw, Hub Cap | 99543001 |
| 2 | Hub Cap | 21226038 |
| 3 | Hub Cap, Hubodometer | 21226118 |
| 4 | Gasket, Hub Cap | 21226119 |
| 5 | Screw, Pinch Nut | 21224864 |
| 6 | Pinch Nut | 21226003 |
| 7 | Retaining Clip | 21226117 |
| 8 | Retaining Washer | 21226090 |
| 9 | Bearing, Inner & Outer | 99041035 |
| 10 | Oil Seal | 21200321A |
| 11 | Hub Assembly, Disc Brake, Separate Bearing, Twin Wheel only | 14226121 |
| 11A | Hub Assembly, Disc Brake, Separate Bearing, Single Wheel only | 14226492 |
| 12 | Rotor | 68323825 |
| 13 | Wheel Nut | see table below |
| 14 | Wheel Bolt, Steel Single & Twin Wheel | 21226690 |
| 14 | Wheel Bolt, Aluminium, Single Wheel | 21226705 |
| 14 | Wheel Bolt, Aluminium, Twin Wheel | 21226691 |
| 15 | M16 x 65 Rotor Mounting Bolt | 21225100 |
| 16 | Hardened Washer | 21224978 |

| WHEEL NUTS 32mm ACROSS FLATS | | |
|------------------------------|---------------|--------------------|
| NEW PART NUMBER | TYPE | FINISH COATING |
| 21226395 | STANDARD OPEN | PHOSPHATE & OIL |
| 21226396 | STANDARD OPEN | DACROMET 500 & OIL |
| 21226397 | CLOSED END | PHOSPHATE & OIL |
| 21226484 | CLOSED END | DACROMET 500 & OIL |



an ArvinMeritor brand

D Duco Parts List





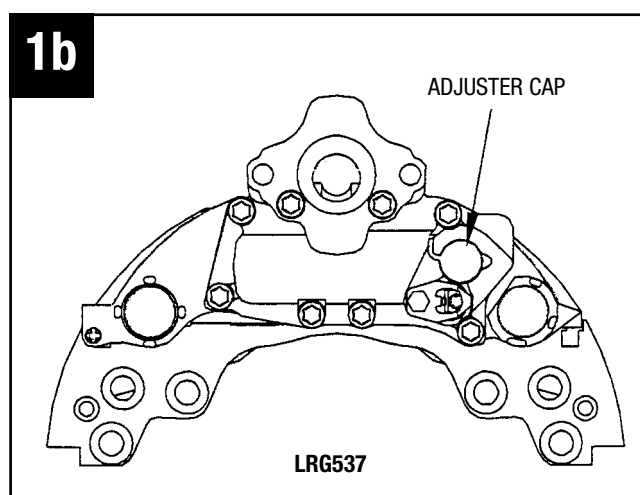
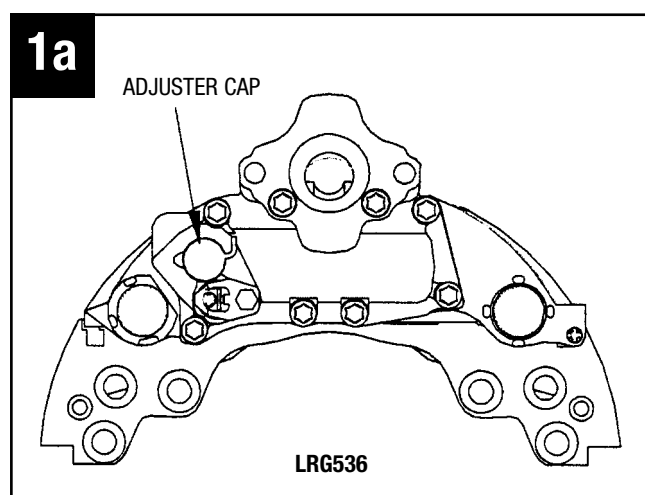
an ArvinMeritor brand

D Duco Parts List

D Duco Brake Assembly Parts List

| Item | Description | Part Number |
|------|---|-------------|
| 1a | Brake Assembly D Duco (Service Exchange)* | LRG536 |
| 1b | Brake Assembly D Duco (Service Exchange)* | LRG537 |
| 2 | Disc Pad Kit | MDP 5057 |
| 3 | Retaining Bolt | 68130034 |
| 4 | M20 x 50 Caliper Mounting Bolt | 21226651 |
| 5 | Hardened Washer | 21226568 |

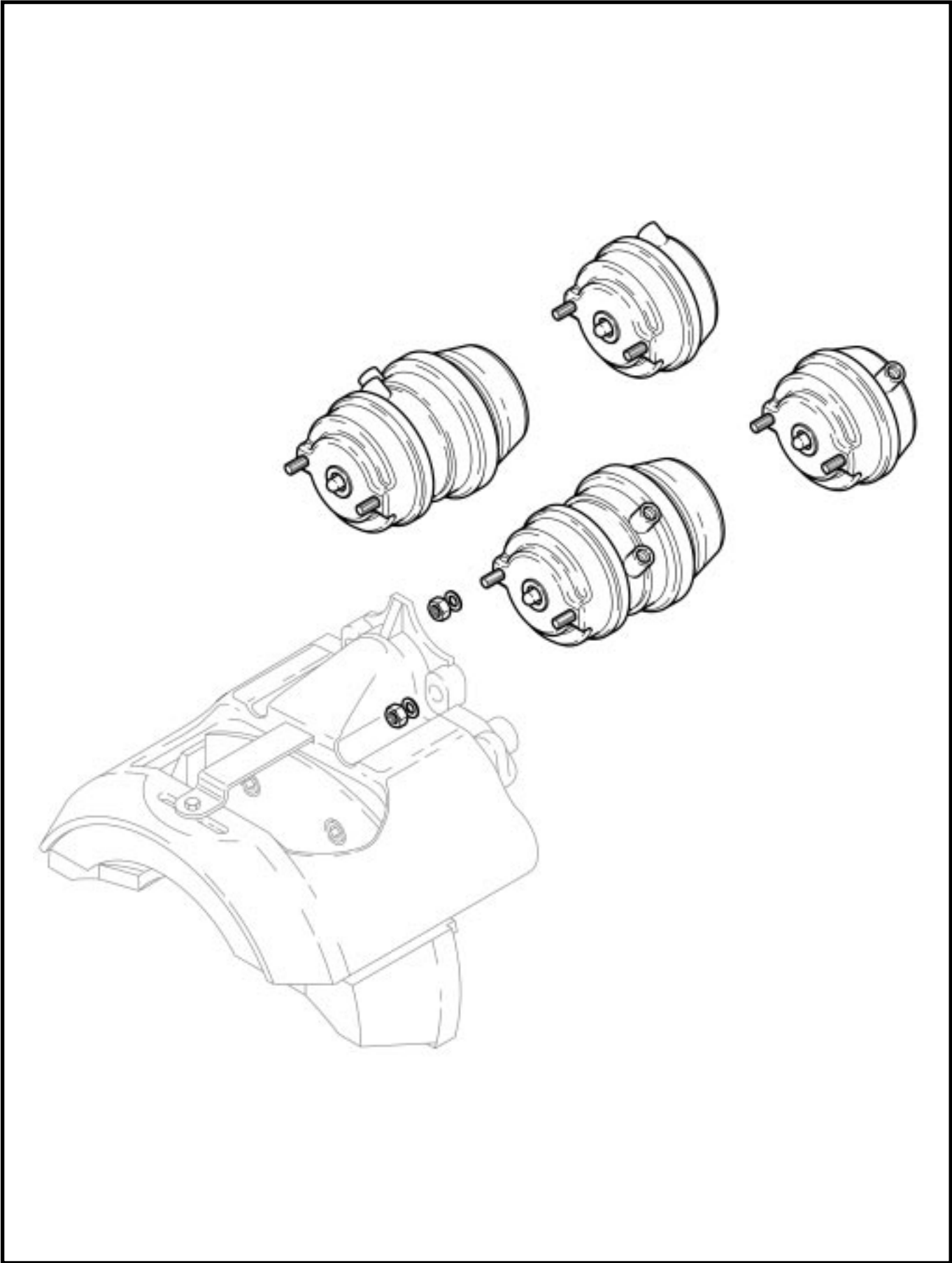
* Brake Assembly Rear View – for identification





an ArvinMeritor brand

D Duco Parts List





an ArvinMeritor brand

D Duco Parts List

D Duco Air Chambers Parts List

Underslung Suspensions

FL11000

| Chamber Size | Left Hand Side of Axle | | Right Hand Side of Axle | |
|--------------|------------------------|------------------|-------------------------|------------------|
| | Chamber Part No. | Caliper Part No. | Chamber Part No. | Caliper Part No. |
| 14 Service | 41226793 | 68032959 | 41226792 | 68032960 |
| 14/16 | 41226795 | 68032959 | 41226794 | 68032960 |
| 14/24 | 41226797 | 68032959 | 41226796 | 68032960 |
| 16 Service | 41226799 | 68032959 | 41226798 | 68032960 |
| 16/16 | 41226801 | 68032959 | 41226800 | 68032960 |
| 16/24 | 41226803 | 68032959 | 41226802 | 68032960 |
| 18 Service | 41226805 | 68032959 | 41226804 | 68032960 |
| 18/24 | 41226807 | 68032959 | 41226806 | 68032960 |
| 20 Service | 41226809 | 68032959 | 41226808 | 68032960 |
| 20/24 | 41226811 | 68032959 | 41226810 | 68032960 |
| 22 Service | 41226813 | 68032959 | 41226812 | 68032960 |
| 22/24 | 41226815 | 68032959 | 41226814 | 68032960 |
| 24 Service | 41226817 | 68032959 | 41226816 | 68032960 |
| 24/24 | 41226819 | 68032959 | 41226818 | 68032960 |
| 24/30 | 41226821 | 68032959 | 41226820 | 68032960 |
| 27 Service | 41226823 | 68032959 | 41226822 | 68032960 |
| 27/30 | 41226825 | 68032959 | 41226824 | 68032960 |
| 30/30 | 41226827 | 68032959 | 41226826 | 68032960 |

Overslung Suspensions

FL9000, FL9000NB, FL11000B

| Chamber Size | Left Hand Side of Axle | | Right Hand Side of Axle | |
|--------------|------------------------|------------------|-------------------------|------------------|
| | Chamber Part No. | Caliper Part No. | Chamber Part No. | Caliper Part No. |
| 14 Service | 41226792 | 68032959 | 41226793 | 68032960 |
| 14/16 | 41226794 | 68032959 | 41226795 | 68032960 |
| 14/24 | 41226796 | 68032959 | 41226797 | 68032960 |
| 16 Service | 41226798 | 68032959 | 41226799 | 68032960 |
| 16/16 | 41226800 | 68032959 | 41226801 | 68032960 |
| 16/24 | 41226802 | 68032959 | 41226803 | 68032960 |
| 18 Service | 41226804 | 68032959 | 41226805 | 68032960 |
| 18/24 | 41226806 | 68032959 | 41226807 | 68032960 |
| 20 Service | 41226808 | 68032959 | 41226809 | 68032960 |
| 20/24 | 41226810 | 68032959 | 41226811 | 68032960 |
| 22 Service | 41226812 | 68032959 | 41226813 | 68032960 |
| 22/24 | 41226814 | 68032959 | 41226815 | 68032960 |
| 24 Service | 41226816 | 68032959 | 41226817 | 68032960 |
| 24/24 | 41226818 | 68032959 | 41226819 | 68032960 |
| 24/30 | 41226820 | 68032959 | 41226821 | 68032960 |
| 27 Service | 41226822 | 68032959 | 41226823 | 68032960 |
| 27/30 | 41226824 | 68032959 | 41226825 | 68032960 |
| 30/30 | 41226826 | 68032959 | 41226827 | 68032960 |

Warranty

A comprehensive network of original parts distributors and service stations operate throughout Europe; this is supported internationally with agents strategically placed around the world.

All Meritor replacement parts obtained through original parts distributors are covered by a one year warranty.

For full warranty terms and conditions see 'Meritor Warranty Terms and Conditions' Publication No 4.84.1

Meritor reserve the right to make changes in specifications shown herein or add improvements at any time without notice or obligation.

PARTS SHOWN IN THIS SPARES LIST ARE MADE FROM DRAWINGS IN WHICH COPYRIGHT SUBSISTS. THE MAKING OF COPIES OF ANY OF THESE PARTS IS PROHIBITED.

© Meritor HVS Limited



The high quality assurance management systems applied by Meritor are endorsed with the awarding of ISO 9001, Lloyd's Register Quality Assurance.



an **ArvinMeritor** brand



an **ArvinMeritor** brand



an **ArvinMeritor** brand

Meritor HVS Limited
Commercial Vehicle Systems
Rackery Lane, Llay
Wrexham LL12 0PB
U.K.
Telephone: +44 (0)1978 852141
Fax: +44 (0)1978 856173

Meritor HVS (Mitry-Mory) S.A.
Commercial Vehicle Systems
Z.I. du Moulin à Vent
9 rue des Frères Lumière
77290 Mitry-Mory
France
Telephone: +33 (0)1 64.27.44.61
Fax: +33 (0)1 64.27.30.45

Meritor HVS (Verona) s.r.l.
Commercial Vehicle Systems
Via Monte Fiorino, 23
37057 San Giovanni Lupatoto
Verona
Italy
Telephone: +39 045 8750399
Fax: +39 045 8750640 / 8750513

Meritor HVS (Barcelona) S.A.
Commercial Vehicle Systems
Ctra. Granollers - Sabadell Km. 13,3
Poligono Argelagues
08185 Lliçà de Vall
Spain
Telephone: +34 (9)3 843 95 68
Fax: +34 (9)3 843 83 59

ArvinMeritor Inc.
World Headquarters
2135 West Maple Road
Troy, Michigan 48084
U.S.A.
Telephone: +1 248 435 1000

ArvinMeritor
Commercial Vehicle Aftermarket AG
Neugutstrasse 89
8600 Dübendorf
Switzerland
Telephone: +41 (0)1 824 8200
Fax: +41 (0)1 824 8264

ArvinMeritor
Commercial Vehicle Systems
Postbus 255
5700AG Helmond
Churchillaan 204A
5705BK Helmond
Holland
Telephone: +31 (0)492 535805
Fax: +31 (0)492 547175

ArvinMeritor South Africa
Commercial Vehicle Systems
Telephone: +27 (0) 83 602 1603

For further information contact

Meritor HVS Limited
Commercial Vehicle Systems
Rackery Lane, Llay
Wrexham LL12 0PB
U.K.
Telephone: +44 (0)1978 852141
Fax: +44 (0)1978 856173

www.arvinmeritor.com

© Copyright 2001
Meritor Automotive
All rights Reserved

Publication 4.94.1

Descriptions and specifications were in effect at the time of publication and are subject to change without notice or liability. Meritor reserve the right to make design improvements, change or discontinue parts at any time.

ArvinMeritor™