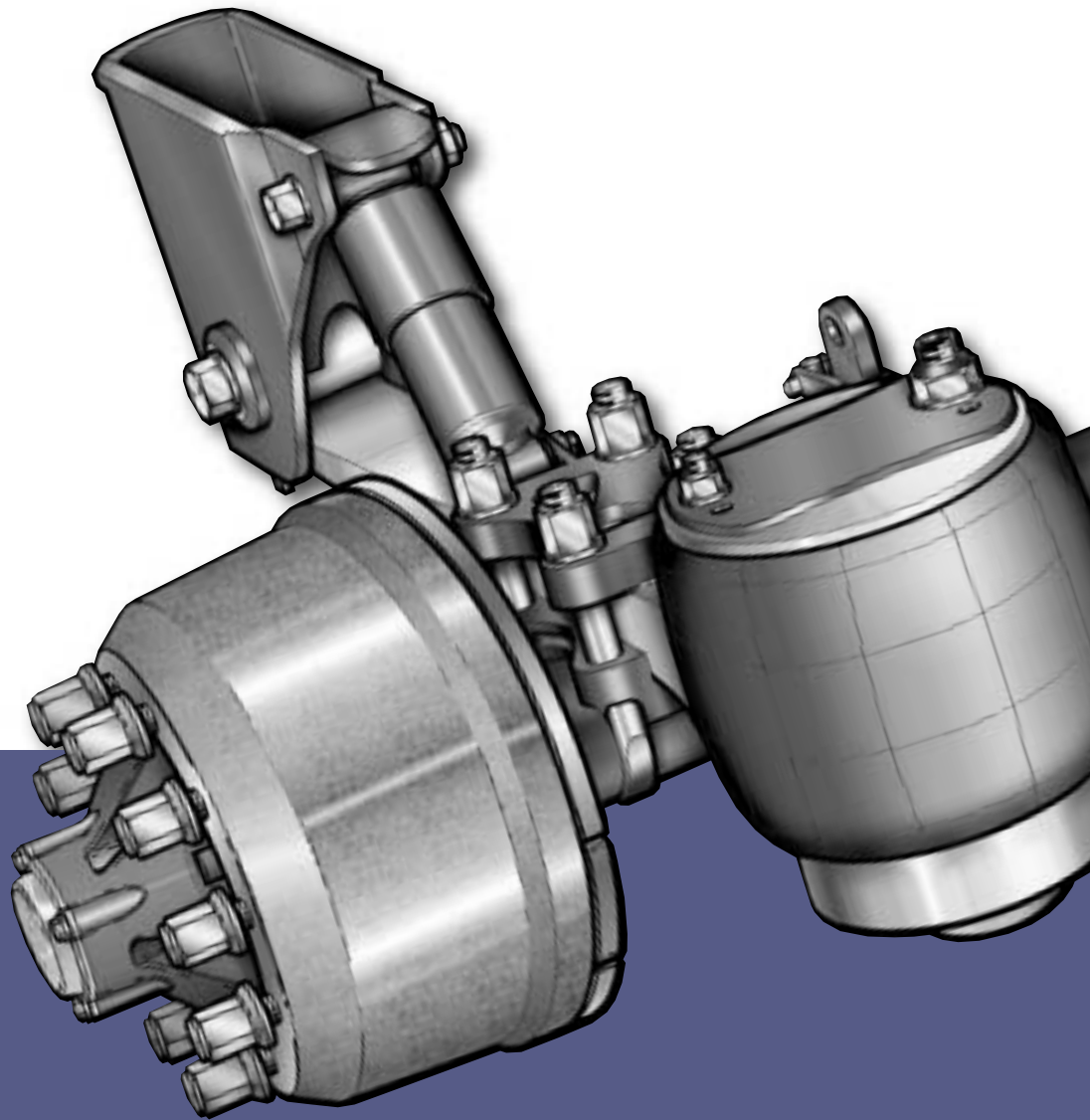




an **ArvinMeritor** brand

Meritor Air Suspension Parts List

Flexlite XL9000, Flexair FL9000 & FL11000

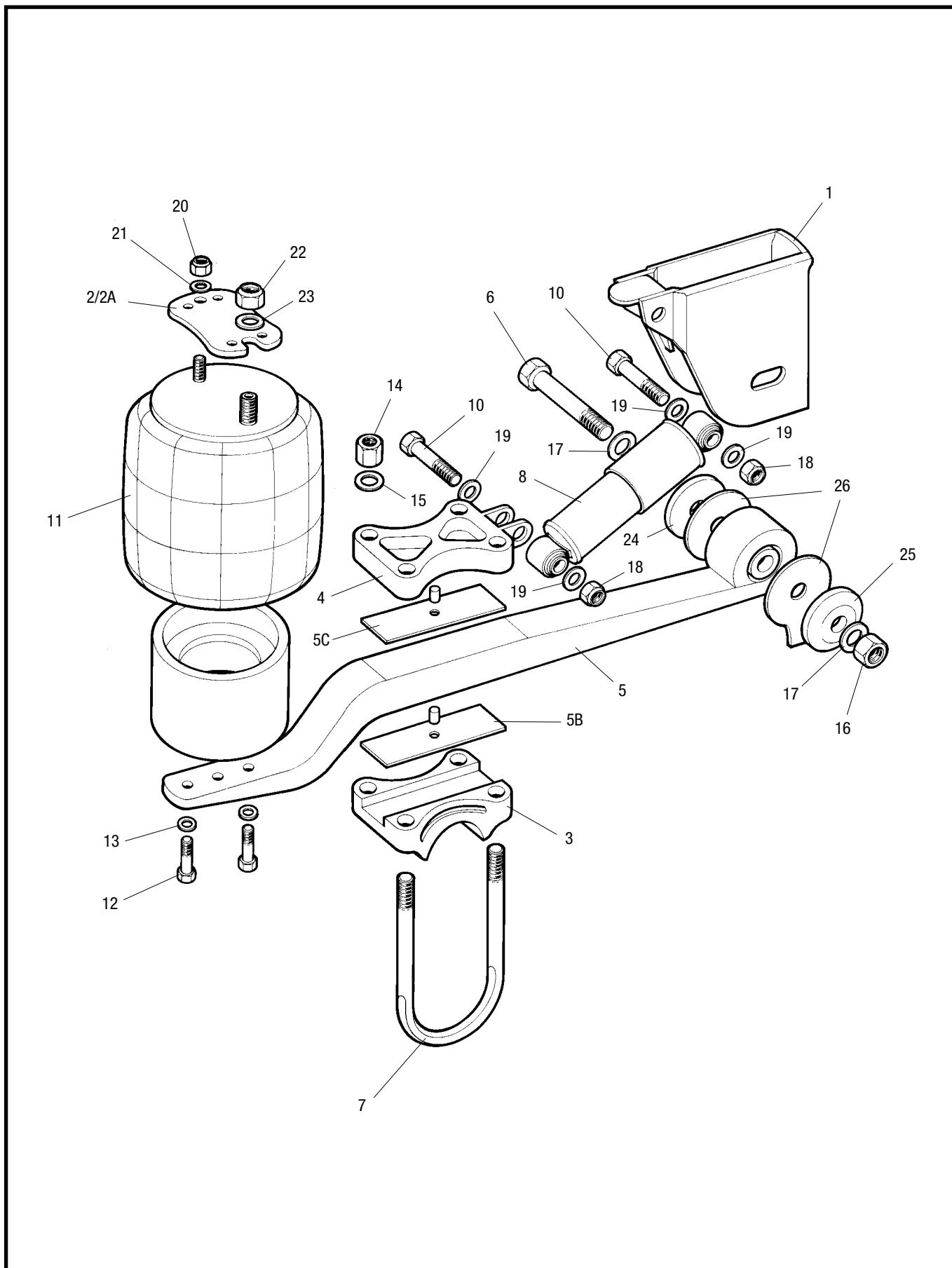


ArvinMeritor™



an ArvinMeritor brand

Flexlite XL9000



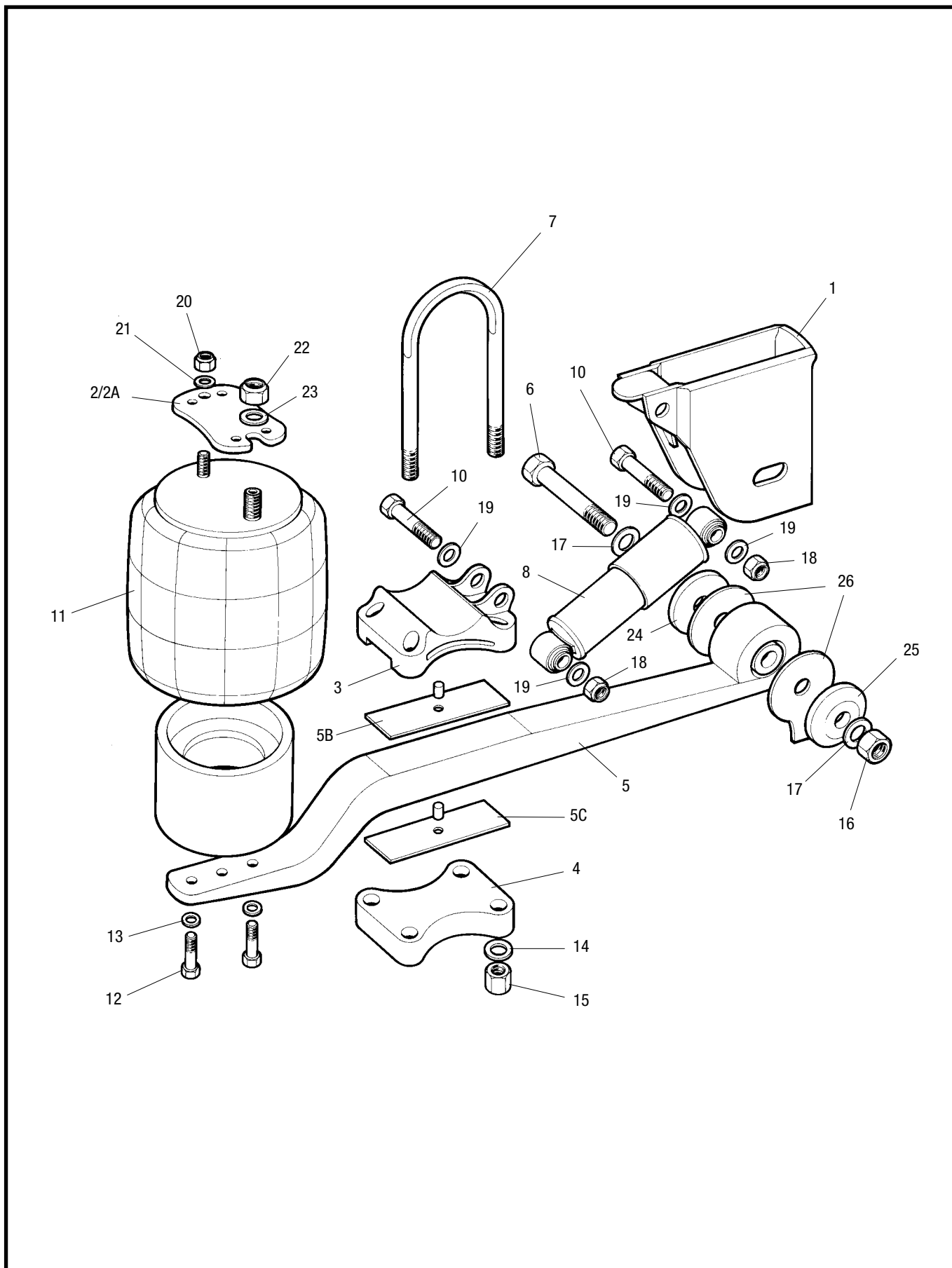
Parts List XL9000

Item	Description	Quantity	Part Number	Remarks
1	Frame Mounting Bracket	1	21225133L - 36L	Tracked L/H, 375 - 450 Ride Height
1	Frame Mounting Bracket	1	21225133R - 36R	Tracked R/H, 375 - 450 Ride Height
2	Airspring Pedestal Plate	2	21222582	375 Ride Height
2A	Airspring Pedestal Assembly	2	21222583 - 85	400 - 450 Ride Height
3	Spring Seat	2	21225055	
4	U Bolt Plate	2	21225057	
5	Trailing Arm Assembly (C/W Bush)	2	21225102	
5B	Shim	2	21225152	Polymer
5C	Shim	2	21225170	Stainless Steel
6	Pivot Bolt	2	21225155	M24
7	U Bolt	4	21225151	M24
8	Damper	2	21225104	SP4 7T
10	Damper Bolt	4	21225154	M16
11	Airspring	2	21222442	MP7
12	Bolt	4	99526002	M12 x 55 GR 8.8 Zn
13	Washer	4	99510003	M12 Spring Zn
14	U Bolt Nut	8	21222243	M24 GR 8.0
15	U Bolt Washer	8	21222923	M24 Special Hardened
16	Pivot Nut	8	99527004	M24 Nyloc GR 8.0 Zn
17	Pivot Washer	4	99513007	M24 Plain
18	Damper Nut	4	21225159	M16 Nyloc GR 10.9 Zn
19	Damper Washer	4	21224978	M16 Special Hardened
20	Nut	2	99527000	M12 Nyloc GR 8.0 Zn
21	Washer	2	99513006	M12 Zn
22	Nut	2	99528000	M22 Thin Zn
23	Washer	2	99510004	M22 Spring Zn
24	Tracking Bush	2	21225156	Eccentric
25	Tracking Bush	2	21225157	Concentric
26	Wear Plate	4	21225162	



an ArvinMeritor brand

Flexlite XL9000L





an ArvinMeritor brand

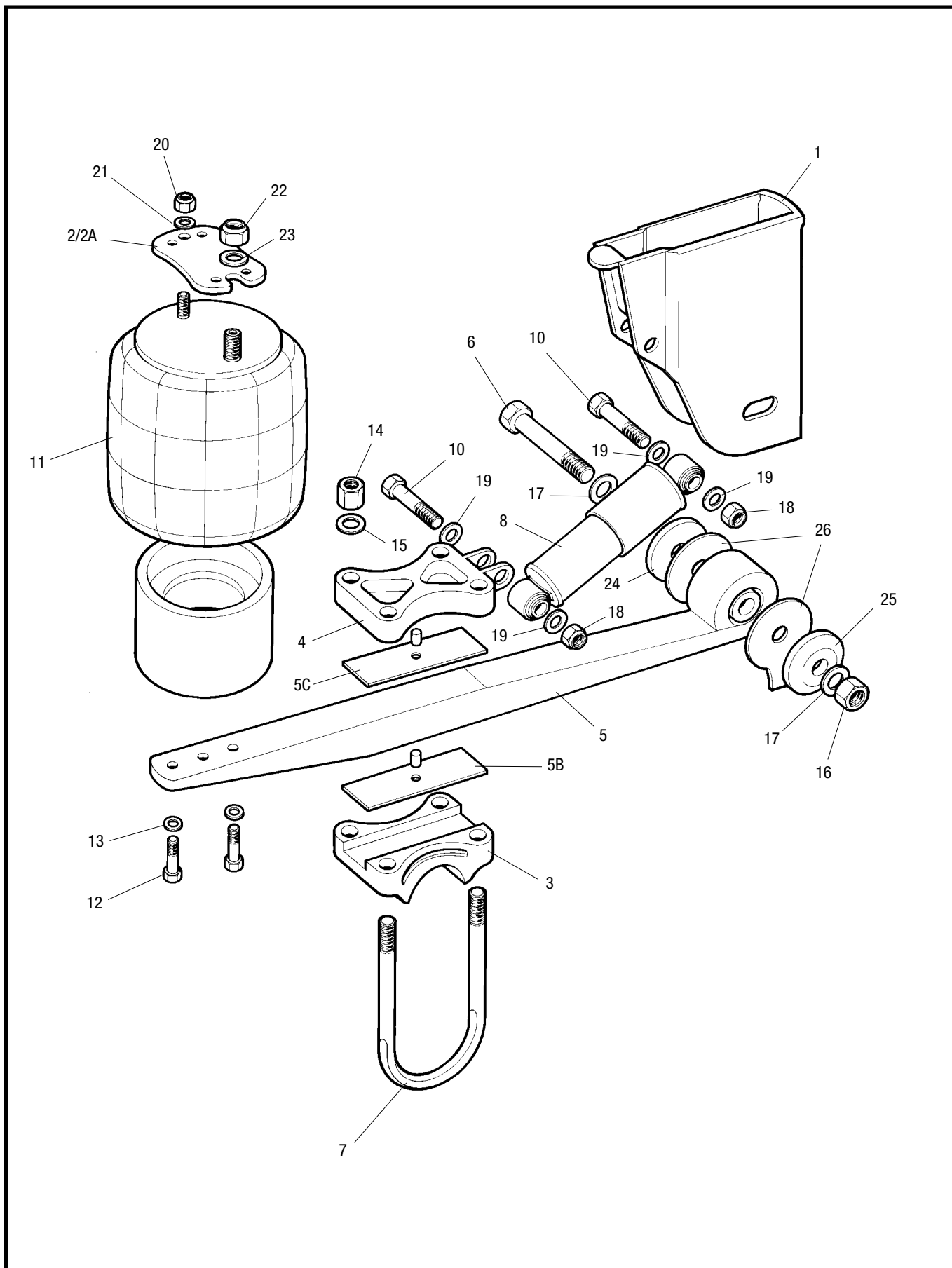
Parts List XL9000L

Item	Description	Quantity	Part Number	Remarks
1	Frame Mounting Bracket	1	21225133L - 37L	Tracked L/H, 150 - 250 Ride Height
1	Frame Mounting Bracket	1	21225133R - 37R	Tracked R/H, 150 - 250 Ride Height
2	Airspring Pedestal Plate	2	21222582	150 Ride Height
2A	Airspring Pedestal Assembly	2	21222583 - 86	175 - 250 Ride Height
3	Spring Seat	2	21225054	
4	U Bolt Plate	2	21225056	
5	Trailing Arm Assembly (C/W Bush)	2	21225102	
5B	Shim	2	21225152	Polymer
5C	Shim	2	21225170	Stainless Steel
6	Pivot Bolt	2	21225155	M24 x 200
7	U Bolt	4	21225151	M24
8	Damper	2	21225104	SP4 7T
10	Damper Bolt	4	21225154	M16
11	Airspring	2	21222442	MP7
12	Bolt	4	99526002	M12 x 55 GR 8.8 Zn
13	Washer	4	99510003	M12 Spring Zn
14	U Bolt Nut	8	21222243	M24 GR 8.0
15	U Bolt Washer	8	21222923	M24 Special Hardened
16	Pivot Nut	8	99527004	M24 Nyloc GR 8.0 Zn
17	Pivot Washer	4	99513007	M24 Plain
18	Damper Nut	4	21225159	M16 Nyloc GR 10.9 Zn
19	Damper Washer	4	21224978	M16 Special Hardened
20	Nut	2	99527000	M12 Nyloc GR 8.0 Zn
21	Washer	2	99513006	M12 Zn
22	Nut	2	99528000	M22 Thin Zn
23	Washer	2	99510004	M22 Spring Zn
24	Tracking Bush	2	21225156	Eccentric
25	Tracking Bush	2	21225157	Concentric
26	Wear Plate	4	21225162	



an ArvinMeritor brand

Flexlite XL9000H



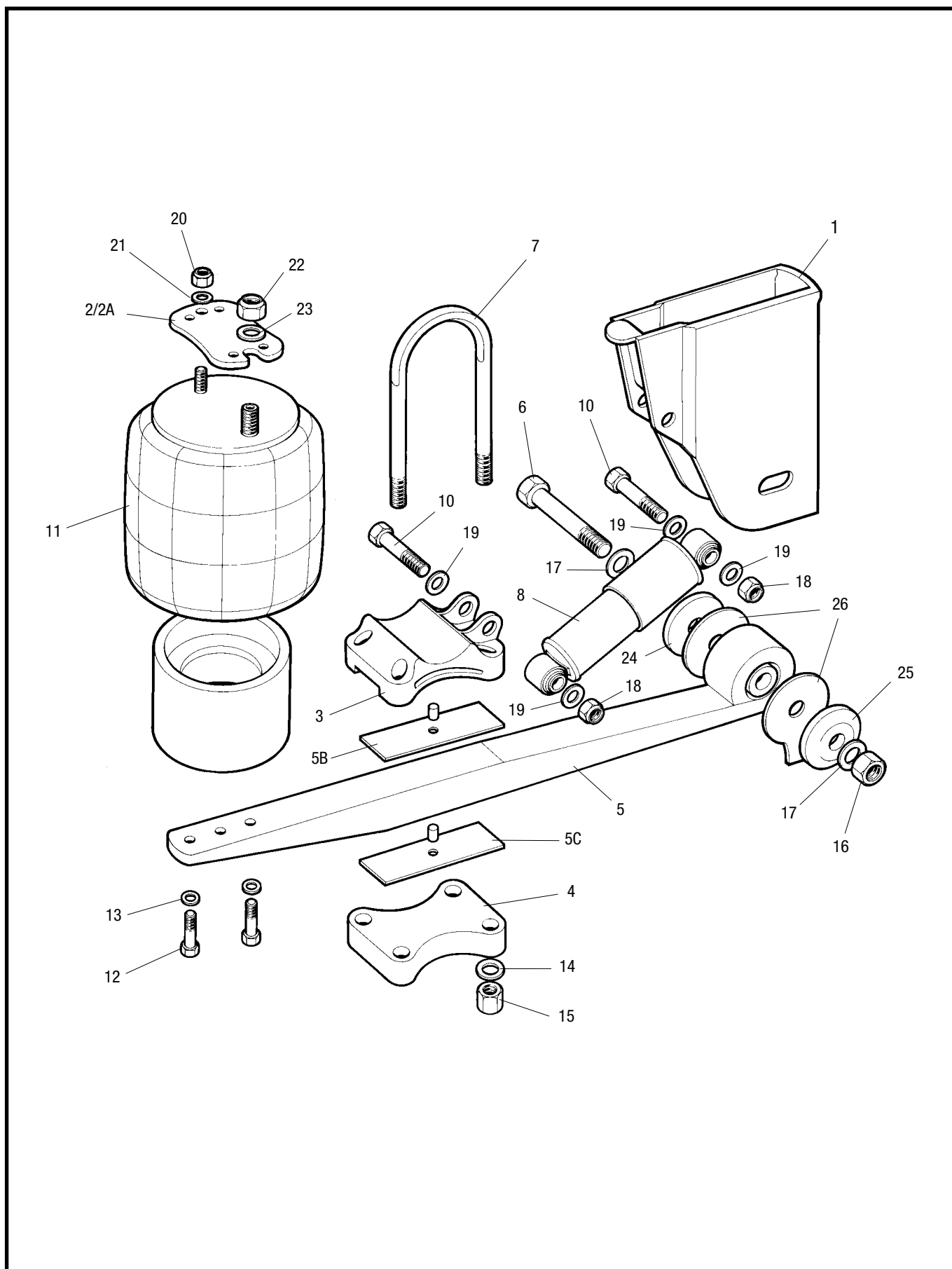
Parts List XL9000H

Item	Description	Quantity	Part Number	Remarks
1	Frame Mounting Bracket	1	21225137L - 40L	Tracked L/H, 475 - 550 Ride Height
1	Frame Mounting Bracket	1	21225137R - 40R	TrackedR/H, 475 - 550 Ride Height
2	Airspring Pedestal Plate	2	21222582	475 Ride Height
2A	Airspring Pedestal Assembly	2	21222583 - 85	500 - 550 Ride Height
3	Spring Seat	2	21225055	
4	U Bolt Plate	2	21225057	
5	Trailing Arm Assembly (C/W Bush)	2	21225354	
5B	Shim	2	21225152	Polymer
5C	Shim	2	21225170	Stainless Steel
6	Pivot Bolt	2	21225155	M24 x 200
7	U Bolt	4	21225151	M24
8	Damper	2	21225104	SP4 7T
10	Damper Bolt	4	21225154	M16
11	Airspring	2	21222442	MP7
12	Bolt	4	99526002	M12 x 55 GR 8.8 Zn
13	Washer	4	99510003	M12 Spring Zn
14	U Bolt Nut	8	21222243	M24 GR 8.0
15	U Bolt Washer	8	21222923	M24 Special Hardened
16	Pivot Nut	8	99527004	M24 Nyloc GR 8.0 Zn
17	Pivot Washer	4	99513007	M24 Plain
18	Damper Nut	4	21225159	M16 Nyloc GR 10.9 Zn
19	Damper Washer	4	21224978	M16 Special Hardened
20	Nut	2	99527000	M12 Nyloc GR 8.0 Zn
21	Washer	2	99513006	M12 Zn
22	Nut	2	99528000	M22 Thin Zn
23	Washer	2	99510004	M22 Spring Zn
24	Tracking Bush	2	21225156	Eccentric
25	Tracking Bush	2	21225157	Concentric
26	Wear Plate	4	21224386	



an ArvinMeritor brand

Flexlite XL9000HL



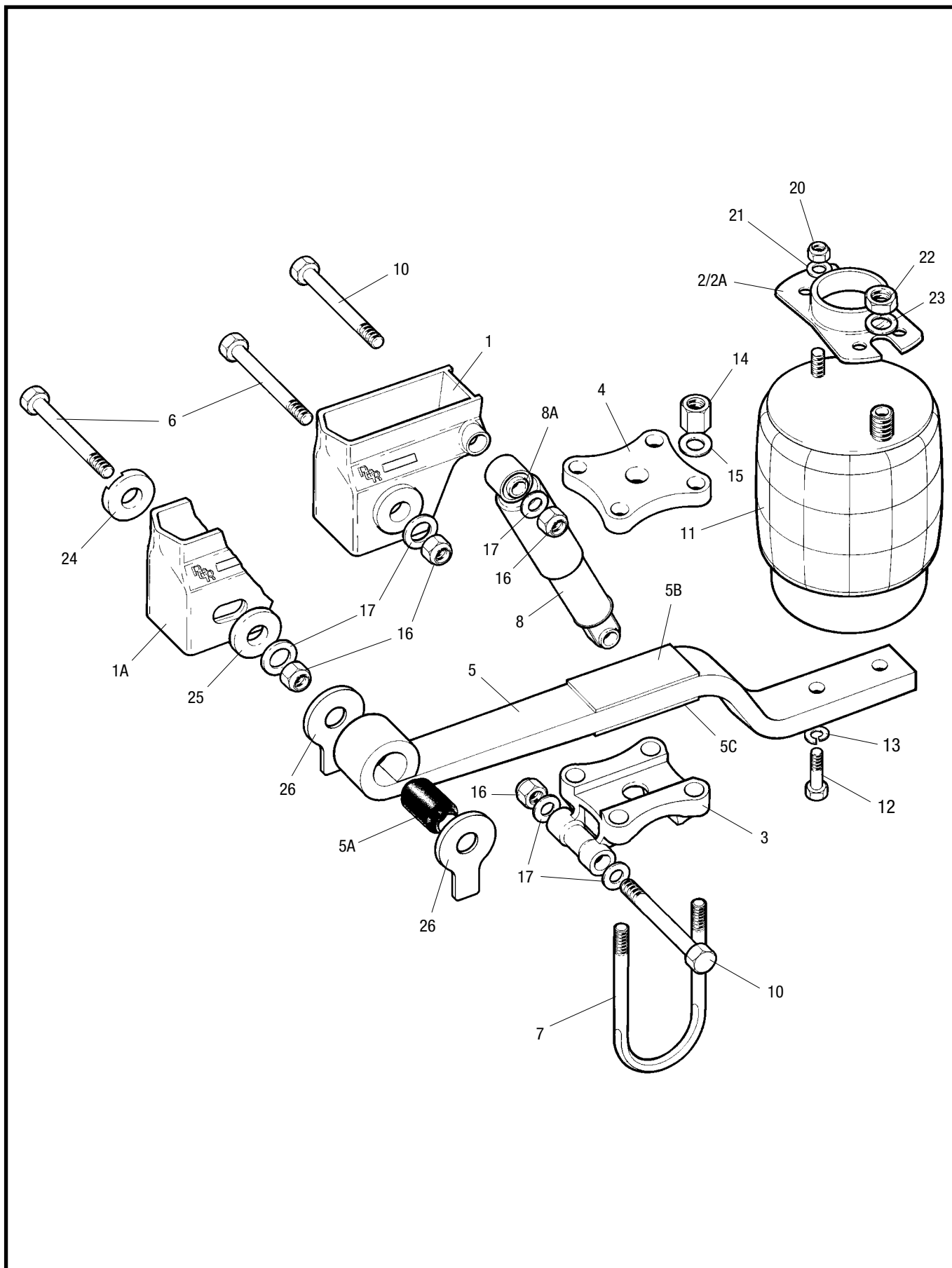
Parts List XL9000HL

Item	Description	Quantity	Part Number	Remarks
1	Frame Mounting Bracket	1	21225133L - 37L	Tracked L/H, 250 - 350 Ride Height
1	Frame Mounting Bracket	1	21225133R - 37R	Tracked R/H, 250 - 350 Ride Height
2	Airspring Pedestal Plate	2	21222582	250 Ride Height
2A	Airspring Pedestal Assembly	2	21222583 - 86	275 - 350 Ride Height
3	Spring Seat	2	21225054	
4	U Bolt Plate	2	21225056	
5	Trailing Arm Assembly (C/W Bush)	2	21225354	
5B	Shim	2	21225152	Polymer
5C	Shim	2	21225170	Stainless Steel
6	Pivot Bolt	2	21225155	M24 x 200
7	U Bolt	4	21225151	M24
8	Damper	2	21225104	SP4 7T
10	Damper Bolt	4	21225154	M16
11	Airspring	2	21222442	MP7
12	Bolt	4	99526002	M12 x 55 GR 8.8 Zn
13	Washer	4	99510003	M12 Spring Zn
14	U Bolt Nut	8	21222243	M24 GR 8.0
15	U Bolt Washer	8	21222923	M24 Special Hardened
16	Pivot Nut	8	99527004	M24 Nyloc GR 8.0 Zn
17	Pivot Washer	4	99513007	M24 Plain
18	Damper Nut	4	21225159	M16 Nyloc GR 10.9 Zn
19	Damper Washer	4	21224978	M16 Special Hardened
20	Nut	2	99527000	M12 Nyloc GR 8.0 Zn
21	Washer	2	99513006	M12 Zn
22	Nut	2	99528000	M22 Thin Zn
23	Washer	2	99510004	M22 Spring Zn
24	Tracking Bush	2	21225156	Eccentric
25	Tracking Bush	2	21225157	Concentric
26	Wear Plate	4	21225162	



an ArvinMeritor brand

Flexair FL9000NB



Parts List FL9000NB

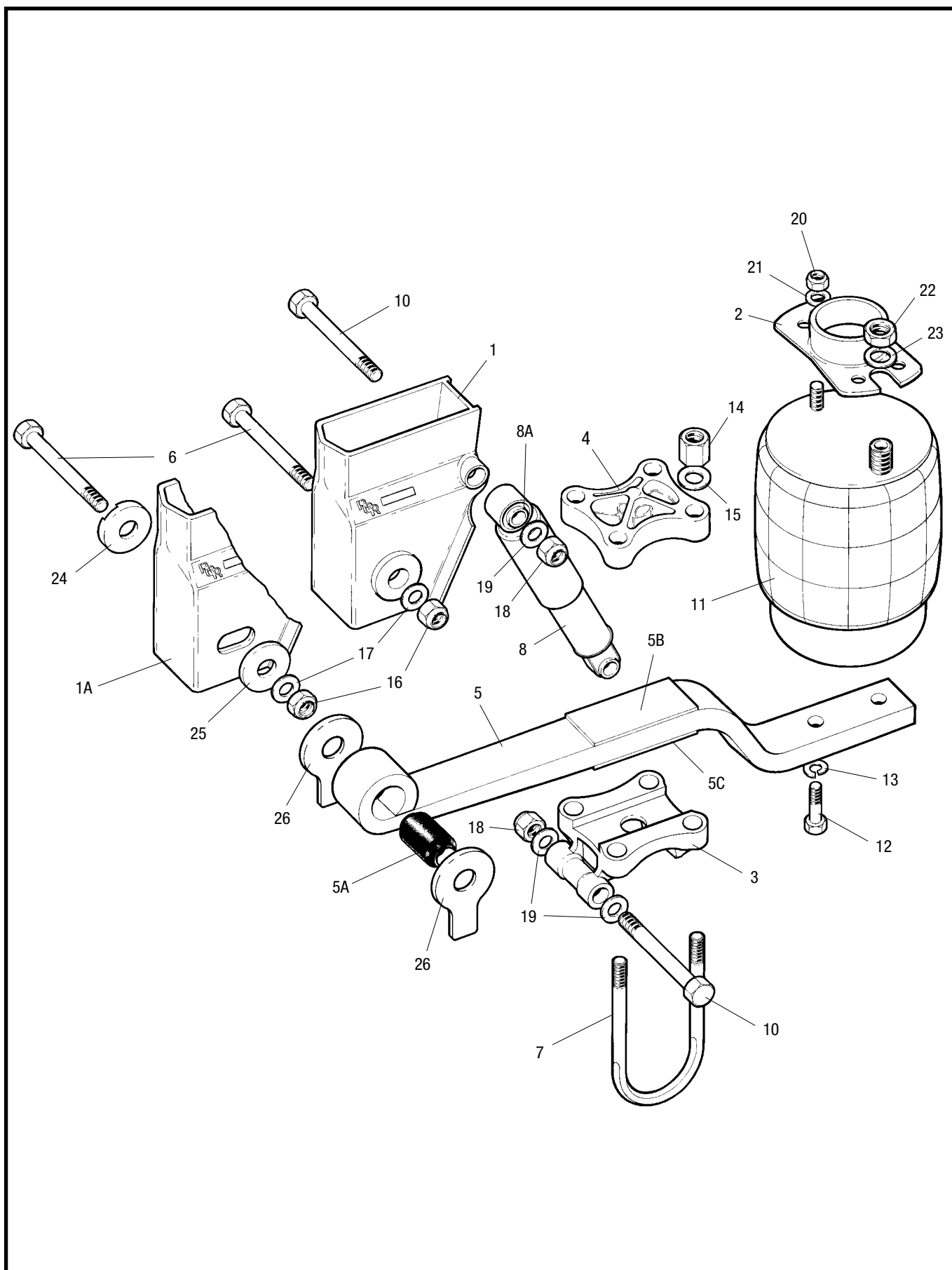
Item	Description	Quantity	Part Number	Remarks
1	Frame Mounting Bracket	2	21224781 - 83	Untracked, 310 - 350 Ride Height
1A	Frame Mounting Bracket	1	21224781L - 83L	Tracked L/H, 310 - 350 Ride Height
1A	Frame Mounting Bracket	1	21224781R - 83R	Tracked R/H, 310 - 350 Ride Height
1	Frame Mounting Bracket	2	21226414 - 16	Untracked, 375 - 425 Ride Height
1A	Frame Mounting Bracket	1	21226414L - 16L	Tracked L/H, 375 - 425 Ride Height
1A	Frame Mounting Bracket	1	21226414R - 16R	Tracked R/H, 375 - 425 Ride Height
1	Frame Mounting Bracket	2	21227231 - 32	Untracked, 450 - 475 Ride Height
1A	Frame Mounting Bracket	1	21227231L - 32L	Tracked L/H, 450 - 475 Ride Height
1A	Frame Mounting Bracket	1	21227231R - 32R	Tracked R/H, 450 - 475 Ride Height
2	Airspring Pedestal Assembly	2	21224614	350 Ride Height only
2A	Airspring Pedestal Assembly	2	21226421 - 23	375 - 425 Ride Height
2A	Airspring Pedestal Assembly	2	21227233 - 34	450 - 475 Ride Height
3	Spring Seat	2	21222399	
4	U Bolt Plate	2	21222395N	
5	Trailing Arm Assembly (C/W Bush)	2	21224664	
5A	Pivot Bush	2	21224663	
5B	Shim	2	21222330	Galvanised 3mm Top
5C	Shim	2	21222329	Galvanised 3mm Bot-Ø25 Hole
6	Pivot Bolt	2	21222230	M24 x 195 GR 8.8 Olive
7	U Bolt	4	21223928	M24 x 269
8	Damper	2	21224778	
8A	Damper Bush	4	21224754	For use with above Damper
10	Damper Bolt	4	21222231	M24 x 250 GR 8.8 Olive
11	Airspring	2	21222442	MP7, 0° Rotation
11	Airspring	2	21223874	MP7, 45° Rotation
11	Airspring	2	21224818L	MP7, 60° Rotation L/H
11	Airspring	2	21224818R	MP7, 60° Rotation R/H
12	Bolt	4	99526002	M12 x 55 GR 8.8 Zn
13	Washer	6	99510003	M12 Spring Zn
14	U Bolt Nut	8	21222243	M24 Special U Bolt Plain
15	U Bolt Washer	8	21222923	M24 Special Hardened
16	Pivot/Damper Nut	6	99527004	M24 GR 8.0 Nyloc Zn
17	Pivot/Damper Washer	8	99513007	M24 Plain
20	Nut	2	99512007	M12 GR 8.0 Zn
21	Washer	2	99513006	M12 Zn
22	Nut	2	99528000	M22 Thin Zn
23	Washer	2	99510004	M22 Spring Zn
24	Tracking Bush	2	21225156	Eccentric*
25	Tracking Bush	2	21225157	Concentric*
26	Wear Washer	4	21224386	Tracked or Untracked

* If the pivot eye tracking is not fitted then tracking bushes are not supplied as they are prewelded to the frame mounting brackets.



an ArvinMeritor brand

Flexair FL9000



Parts List FL9000

Item	Description	Quantity	Part Number	Remarks
1	Frame Mounting Bracket ⁽¹⁾	2	21222370 - 74	Untracked, 375 - 475 Ride Height
1A	Frame Mounting Bracket ⁽¹⁾	1	21222370L - 74L	Tracked L/H, 375 - 475 Ride Height
1A	Frame Mounting Bracket ⁽¹⁾	1	21222370R - 74R	Tracked R/H, 375 - 475 Ride Height
1	Frame Mounting Bracket ⁽²⁾	2	21222735 - 42	Untracked, 375 - 550 Ride Height
1A	Frame Mounting Bracket ⁽²⁾	1	21222735L - 42L	Tracked L/H, 375 - 550 Ride Height
1A	Frame Mounting Bracket ⁽²⁾	1	21222735R - 42R	Tracked R/H, 375 - 550 Ride Height
1	Frame Mounting Bracket ⁽³⁾	2	21224634 - 41	Untracked, 375 - 550 Ride Height
1A	Frame Mounting Bracket ⁽³⁾	1	21224634L - 41L	Tracked L/H, 375 - 550 Ride Height
1A	Frame Mounting Bracket ⁽³⁾	1	21224634R - 41R	Tracked R/H, 375 - 550 Ride Height
2	Airspring Pedestal Assembly	2	21222582 - 89	375 - 550 Ride Height
3	Spring Seat	2	21222399	
4	U Bolt Plate (Cast)	2	21222395	
5	Trailing Arm Assembly (C/W Bush)	2	21222247	M30 Bush
5	Trailing Arm Assembly (C/W Bush) ⁽³⁾	2	21224664	M24 Bush
5A	Pivot Bush ⁽¹⁾⁽²⁾	2	21222609	M30 Pivot Bolt
5A	Pivot Bush ⁽³⁾	2	21224663	M24 Pivot Bolt
5B	Shim	2	21222330	Galvanised 3mm Top
5C	Shim	2	21222329	Galvanised 3mm Bot-Ø25 Hole
6	Pivot Bolt	2	21222234	M30 x 200 GR 8.8 Olive
6	Pivot Bolt ⁽³⁾	2	21222230	M24 x 195 GR 8.8 Olive
7	U Bolt (Cast Plate)	4	21222327	M24 x 280
8	Damper	2	21224745	SP4 - 7T
8A	Damper Bush	4	21214754	For use with above Damper
10	Damper Bolt	4	21222231	M24 x 250 GR 8.8 Olive
11	Airspring	2	21222442	MP7
12	Bolt	4	99526002	M12 x 55 GR 8.8 Zn
13	Washer	4	99510003	M12 Spring Zn
14	U Bolt Nut	8	21222243	M24 Special U Bolt Plain
15	U Bolt Washer	8	21222923	M24 Special Hardened
16	Pivot Nut	2	99527003	M30 Nyloc GR 8.0 Zn
16	Pivot Nut ⁽³⁾	2	99527004	M24 Nyloc GR 8.0 Zn
17	Pivot Washer	2	99513008	M30 Plain
17	Pivot Washer ⁽³⁾	2	99513007	M24 Plain
18	Damper Nut	4	99527004	M24 Nyloc GR 8.0 Zn
19	Damper Washer	6	99513007	M24 Plain
20	Nut	2	99527000	M12 Nyloc GR 8.0 Zn
21	Washer	2	99513006	M12 Zn
22	Nut	2	99528000	M22 Thin Zn
23	Washer	2	99510004	M22 Spring Zn
24	Tracking Bush	2	21222221	Eccentric* - M30
24	Tracking Bush ⁽³⁾	2	21225156	Eccentric* - M24
25	Tracking Bush	2	21222287	Concentric* - M30
25	Tracking Bush ⁽³⁾	2	21225157	Concentric* - M24
26	Wear Plate	4	21222223	Tracked - M30
26	Wear Plate	4	21222690	Untracked - M30
26	Wear Plate ⁽³⁾	4	21224386	Tracked - M24

⁽¹⁾ Before April 1993

⁽²⁾ April 1993 to June 2000

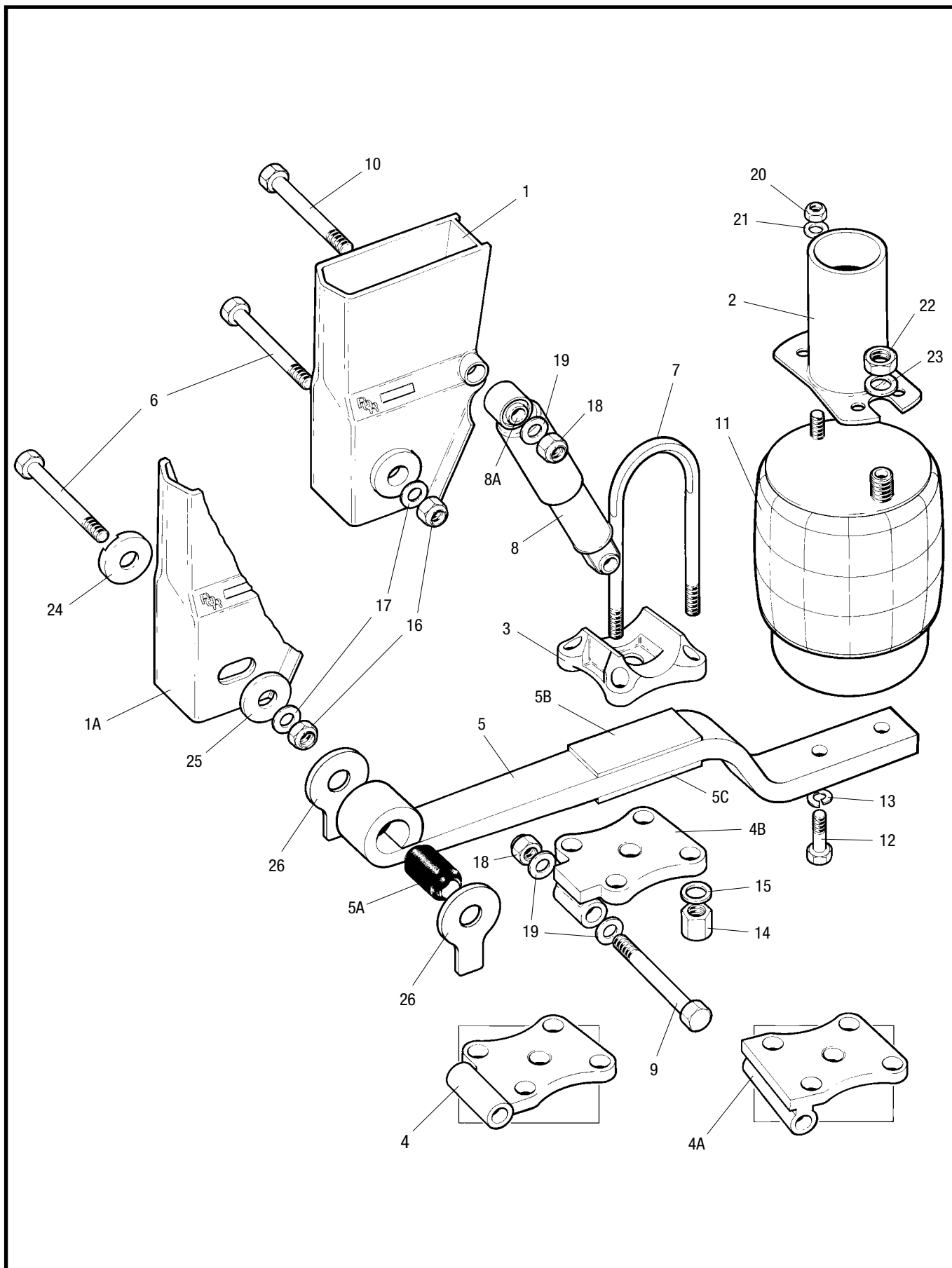
⁽³⁾ After Dec 2000

* If the pivot eye tracking is not fitted then tracking bushes are not supplied as they are prewelded to the frame mounting brackets.



an ArvinMeritor brand

Flexair FL9000L



Parts List FL9000L

Item	Description	Quantity	Part Number	Remarks
1	Frame Mounting Bracket ⁽¹⁾	2	21221981 - 88	Untracked, 200 - 375 Ride Height
1A	Frame Mounting Bracket ⁽¹⁾	1	21221981L - 88L	Tracked L/H, 200 - 375 Ride Height
1A	Frame Mounting Bracket ⁽¹⁾	1	21221981R - 88R	Tracked R/H, 200 - 375 Ride Height
1	Frame Mounting Bracket ⁽²⁾	2	21222736-43	Untracked, 200 - 375 Ride Height
1A	Frame Mounting Bracket ⁽²⁾	1	21222736L-43L	Tracked L/H, 200 - 375 Ride Height
1A	Frame Mounting Bracket ⁽²⁾	1	21222736R-43R	Tracked R/H, 200 - 375 Ride Height
1	Frame Mounting Bracket ⁽³⁾	2	21224635 - 42	Untracked, 200 - 375 Ride Height
1A	Frame Mounting Bracket ⁽³⁾	1	21224635L - 42L	Tracked L/H, 200 - 375 Ride Height
1A	Frame Mounting Bracket ⁽³⁾	1	21224635R - 42R	Tracked R/H, 200 - 375 Ride Height
2	Airspring Pedestal Assembly	2	21222584 - 91	200 - 375 Ride Height
3	Spring Seat	2	21222262	
4	U Bolt Plate	2	21222580	
4A	U Bolt Plate	2	21223003	Post April 93, Non Handed
4B	U Bolt Plate L/H	1	21223646L	Post November 94, Handed
4B	U Bolt Plate R/H	1	21223646R	Post November 94, Handed
5	Trailing Arm Assembly (C/W Bush)	2	21222247	M30 Bush
5	Trailing Arm Assembly (C/W Bush) ⁽³⁾	2	21224664	M24 Bush
5A	Pivot Bush	2	21222609	M30 Pivot Bolt
5A	Pivot Bush ⁽³⁾	2	21224663	M24 Pivot Bolt
5B	Shim	2	21222906	Lipped 3mm Top Galvanised
5C	Packing Plate	2	21222621	10mm Bot-Ø25 Hole
6	Pivot Bolt	2	21222234	M30 x 200 GR 8.8 Olive
6	Pivot Bolt ⁽³⁾	4	21222230	M24 x 195 GR 8.8 Olive
7	U Bolt	4	21222327	M24 x 280
8	Damper	2	21224745	SP4 7T
8A	Damper Bush	4	21214754	For use with above Damper
9	Damper Bolt - Bottom	2	21222230	M24 x 195 GR 8.8 Olive
10	Damper Bolt - Top	2	21222231	M24 x 250 GR 8.8 Olive
11	Airspring	2	21222442	MP7
12	Bolt	4	99526002	M12 x 55 GR 8.8 Zn
13	Washer	4	99510003	M12 Spring Zn
14	U Bolt Nut	8	21222243	M24 Special U Bolt Plain
15	U Bolt Washer	8	21222923	M24 Special Hardened
16	Pivot Nut	2	99527003	M30 Nyloc GR 8.0 Zn
16	Pivot Nut ⁽³⁾	2	99527004	M24 Nyloc GR 8.0 Zn
17	Pivot Washer	2	99513008	M30 Plain
17	Pivot Washer ⁽³⁾	2	99513007	M24 Plain
18	Damper Nut	4	99527004	M24 Nyloc GR 8.0 Zn
19	Damper Washer	6	99513007	M24 Plain
20	Nut	2	99527000	M12 Nyloc GR 8.0 Zn
21	Washer	2	99513006	M12 Zn
22	Nut	2	99528000	M22 Thin Zn
23	Washer	2	99510004	M22 Spring Zn
24	Tracking Bush	2	21222221	Eccentric* - M30
24	Tracking Bush ⁽³⁾	2	21225156	Eccentric* - M24
25	Tracking Bush	2	21222287	Concentric* - M30
25	Tracking Bush ⁽³⁾	2	21225157	Concentric* - M24
26	Wear Plate	4	21222223	Tracked - M30
26	Wear Plate	4	21222690	Untracked - M30
26	Wear Plate ⁽³⁾	4	21224386	Tracked - M24

⁽¹⁾ Before April 1993

⁽²⁾ April 1993 to June 2000

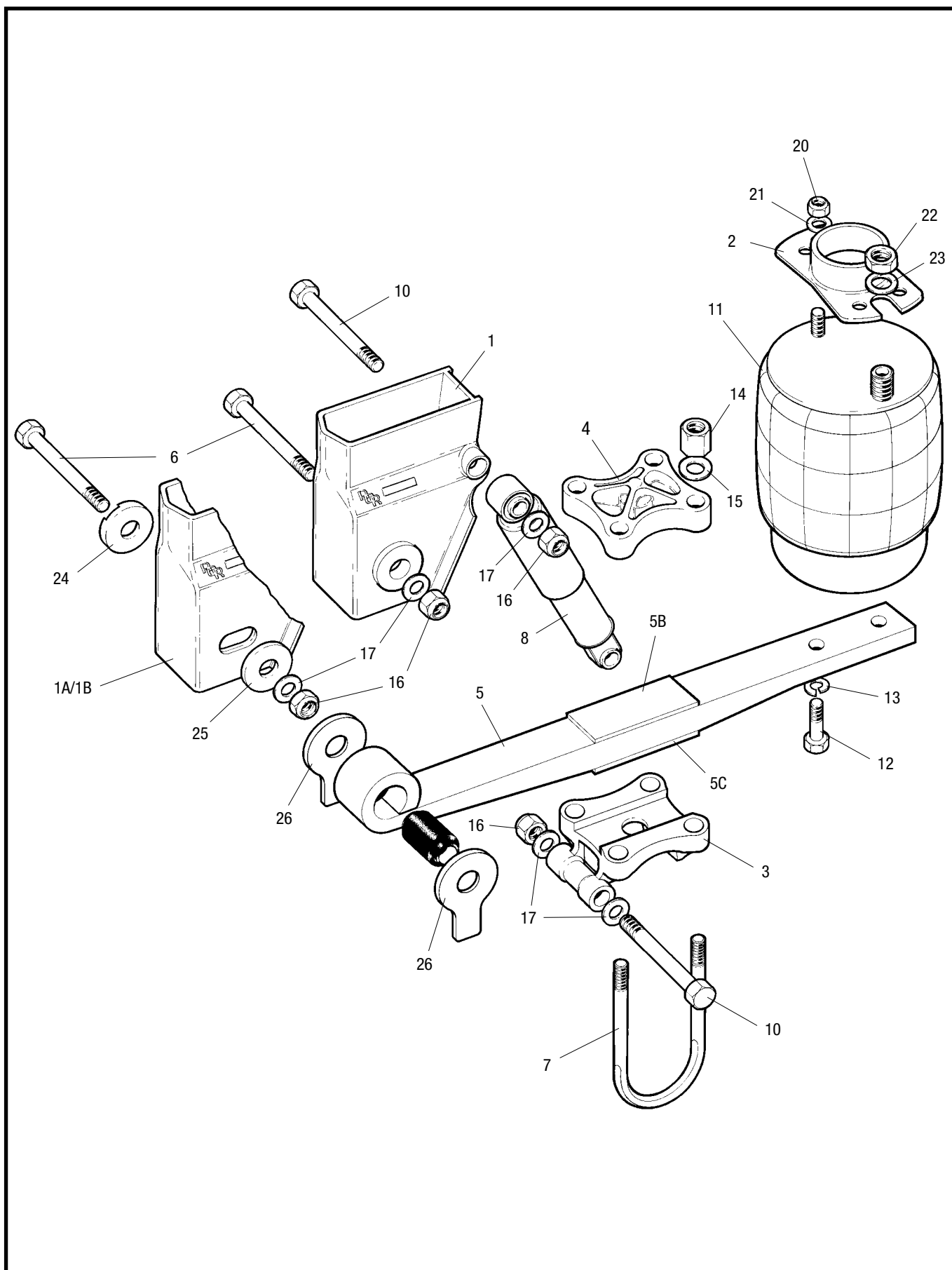
⁽³⁾ After Dec 2000

* If the pivot eye tracking is not fitted then tracking bushes are not supplied as they are prewelded to the frame mounting brackets.



an ArvinMeritor brand

Flexair FL9000H



Parts List FL9000H

Item	Description	Quantity	Part Number	Remarks
1	Frame Mounting Bracket	2	21224639 - 41	Untracked, 500 - 550 Ride Height
1A	Frame Mounting Bracket	1	21224639L - 41L	Tracked L/H, 500 - 550 Ride Height
1A	Frame Mounting Bracket	1	21224639R - 41R	Tracked R/H, 500 - 550 Ride Height
2	Airspring Pedestal Assembly	2	21222582 - 84	500 - 550 Ride Height
3	Spring Seat	2	21222399	
4	U Bolt Plate	2	21222395	
5	Trailing Arm Assembly (C/W Bush)	2	21224376	M30 Bush
5	Trailing Arm Assembly (C/W Bush)	2	21227324	M24 Bush
5B	Shim	4	21222330	Galvanised 3mm Top
5C	Shim	2	21222906	Galvanised 10mm Bottom
6	Pivot Bolt	2	21222230	M24 x 195 GR 8.8 Olive
7	U Bolt	4	21222327	M24 x 280
8	Damper	2	21224745	SP4-7T
8A	Damper Bush	4	21214754	For use with above Damper
10	Damper Bolt	4	21222231	M24 x 250 GR 8.8 Olive
11	Airspring	2	21222442	MP7
12	Bolt	4	99526002	M12 x 55 GR 8.8 Zn
13	Washer	4	99510003	M12 Spring Zn
14	U Bolt Nut	8	21222243	M24 Special U Bolt Plain
15	U Bolt Washer	8	21222923	M24 Special Hardened
16	Pivot/Damper Nut	6	99527004	M24 Nyloc Zn
17	Pivot/Damper Washer	8	99513007	M24 Plain
20	Nut	2	99527000	M12 GR 8.0 Zn
21	Washer	2	99513006	M12 Zn
22	Nut	2	99528000	M22 Thin Zn
23	Washer	2	99510004	M22 Spring Zn
24	Tracking Bush	2	21222221	Eccentric* - M30
24	Tracking Bush ⁽³⁾	2	21225156	Eccentric* - M24
25	Tracking Bush	2	21222287	Concentric* - M30
25	Tracking Bush ⁽³⁾	2	21225157	Concentric* - M24
26	Wear Plate	4	21222223	Tracked - M30
26	Wear Plate	4	21222690	Untracked - M30
26	Wear Plate ⁽³⁾	4	21224386	Tracked - M24

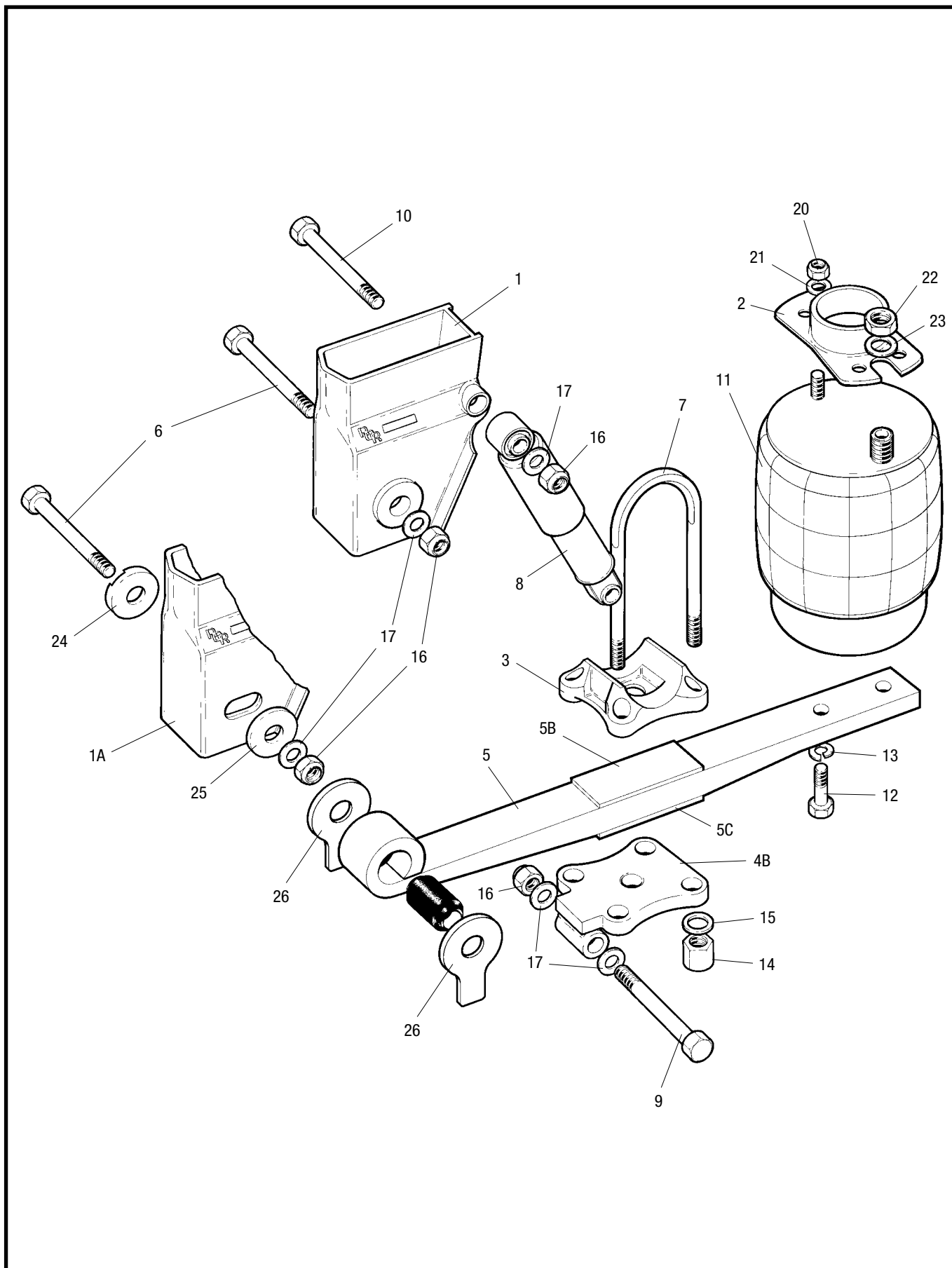
⁽³⁾ After Dec 2000

* If the pivot eye tracking is not fitted then tracking bushes are not supplied as they are prewelded to the frame mounting brackets.



an ArvinMeritor brand

Flexair FL9000HL



Parts List FL9000HL

Item	Description	Quantity	Part Number	Remarks
1	Frame Mounting Bracket	2	21224637 - 41	Untracked, 275 - 375 Ride Height
1A	Frame Mounting Bracket	1	21224637L - 41L	Tracked L/H, 275 - 375 Ride Height
1A	Frame Mounting Bracket	1	21224637R - 41R	Tracked R/H, 275 - 375 Ride Height
2	Airspring Pedestal Assembly	2	21222582 - 86	275 - 375 Ride Height
3	Spring Seat	2	21222262	
4	U Bolt Plate R/H	2	21223646R	
4	U Bolt Plate L/H	2	21223646L	
5	Trailing Arm Assembly (C/W Bush)	2	21224376	M30 Bush
5	Trailing Arm Assembly (C/W Bush)	2	21227324	M24 Bush
5B	Shim	4	21222330	Galvanised 3mm Top
5C	Shim	2	21222329	Galvanised 3mm Bottom
6	Pivot Bolt	2	21222230	M24 x 195 GR 8.8 Olive
7	U Bolt	4	21222327	M24 x 280
8	Damper	2	21224745	SP4-7T
8A	Damper Bush	4	21214754	For use with above Damper
9	Damper Bolt - Bottom	2	21222230	M24 x 195 GR 8.8 Olive
10	Damper Bolt - Top	2	21222231	M24 x 250 GR 8.8 Olive
11	Airspring	2	21222442	MP7
12	Bolt	4	99526002	M12 x 55 GR 8.8 Zn
13	Washer	4	99510003	M12 Spring Zn
14	U Bolt Nut	8	21222243	M24 Special U Bolt Plain
15	U Bolt Washer	8	21222923	M24 Special Hardened
16	Pivot/Damper Nut	6	99527004	M24 Nyloc Zn
17	Pivot/Damper Washer	8	99513007	M24 Plain
20	Nut	2	99527000	M12 GR 8.0 Zn
21	Washer	2	99513006	M12 Zn
22	Nut	2	99528001	M22 Thin Zn
23	Washer	2	99510004	M22 Spring Zn
24	Tracking Bush	2	21222221	Eccentric* - M30
24	Tracking Bush ⁽³⁾	2	21225156	Eccentric* - M24
25	Tracking Bush	2	21222287	Concentric* - M30
25	Tracking Bush ⁽³⁾	2	21225157	Concentric* - M24
26	Wear Plate	4	21222223	Tracked - M30
26	Wear Plate	4	21222690	Untracked - M30
26	Wear Plate ⁽³⁾	4	21224386	Tracked - M24

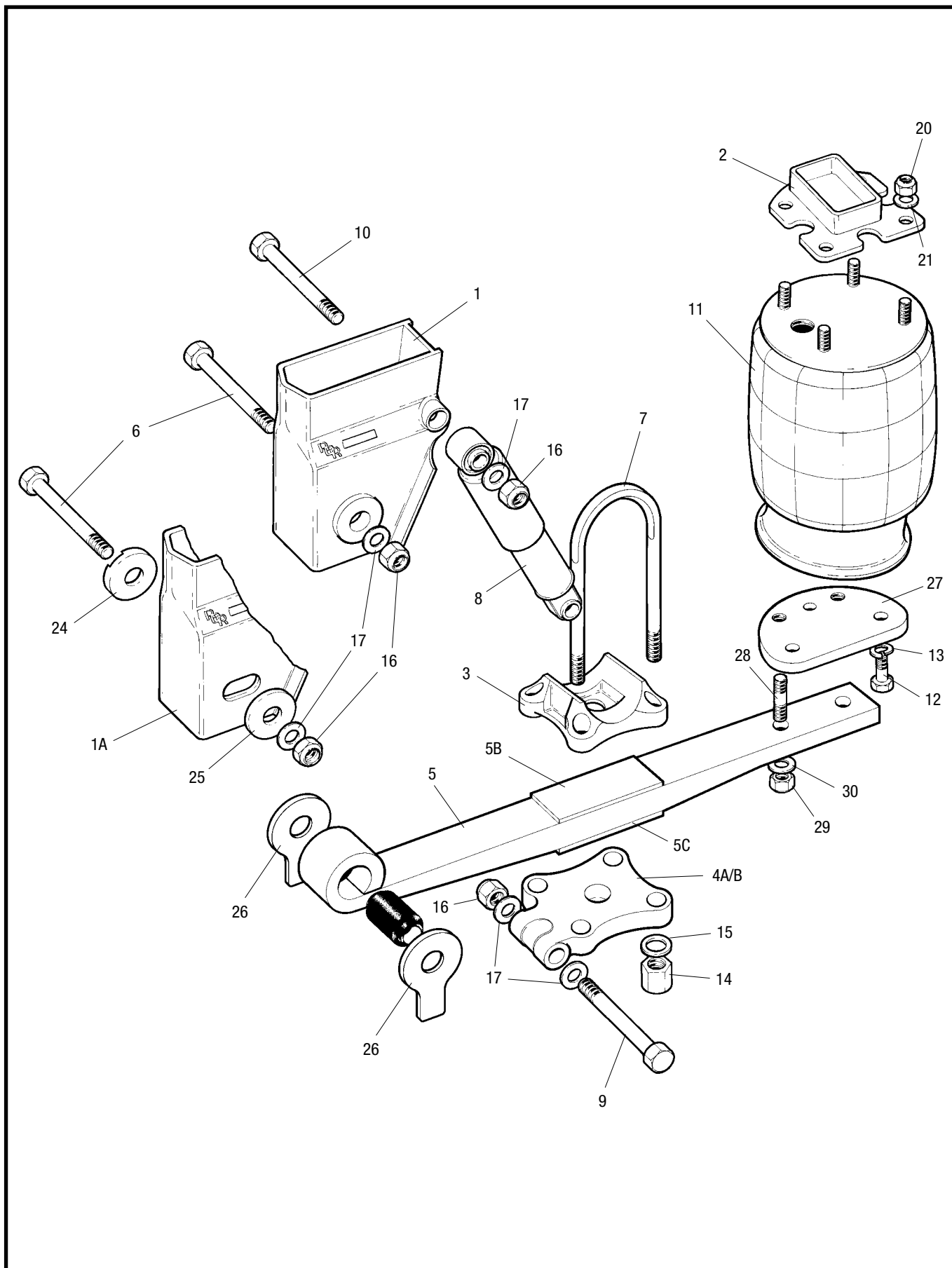
⁽³⁾ After Dec 2000

* If the pivot eye tracking is not fitted then tracking bushes are not supplied as they are prewelded to the frame mounting brackets.



an ArvinMeritor brand

Flexair FL9000HLL



Parts List FL9000HLL

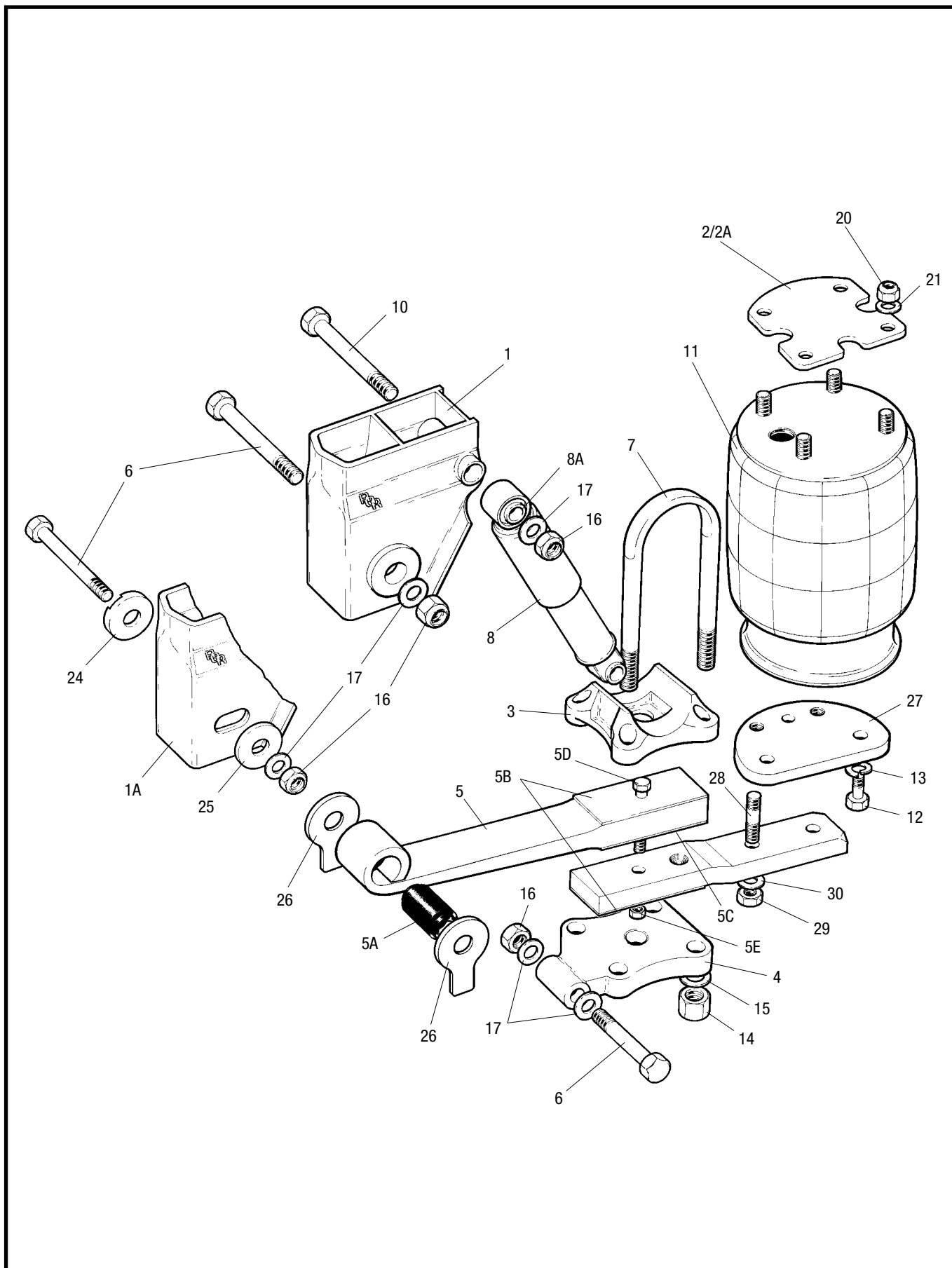
Item	Description	Quantity	Part Number	Remarks
1	Frame Mounting Bracket	2	21224636 - 41	Untracked, 300 - 425 Ride Height
1A	Frame Mounting Bracket	1	21224636L - 41L	Tracked L/H, 300 - 425 Ride Height
1A	Frame Mounting Bracket	1	21224636R - 41R	Tracked R/H, 300 - 425 Ride Height
2	Airspring Pedestal Assembly	2	21221995 -2000	300 - 425 Ride Height
3	Spring Seat	2	21226018	
4	U Bolt Plate R/H	2	21224436	
4	U Bolt Plate L/H	2	21224437	
5	Trailing Arm Assembly (C/W Bush)	2	21226383	
5B	Shim	2	21222330	Galvanised 3mm Top
5C	Shim	2	21222329	Galvanised 3mm Bottom
6	Pivot/Bottom Damper Bolt	4	21222230	M24 x 195 GR 8.8 Olive
7	U Bolt	4	21226019	M24
8	Damper	2	21224034	SP4-7T
8A	Damper Bush	4	21214754	For use with above Damper
10	Top Damper Bolt	2	21222231	M24 x 250 GR 8.8 Olive
11	Airspring	2	21222673	F14
12	Bolt	6	99526000	M12 x 35 GR 8.8 Zn
13	Washer	6	99510003	M12 Spring Zn
14	U Bolt Nut	8	21222243	M24 Special U Bolt Plain
15	U Bolt Washer	8	21222923	M24 Special Hardened
16	Pivot/Damper Nut	6	99527004	M24 Nyloc Zn
17	Pivot/Damper Washer	8	99513007	M24 Plain
20	Nut	8	99527000	M12 Cleveloc Zn
21	Washer	8	99513006	M12 Zn
24	Tracking Bush	2	21225156	Eccentric*
25	Tracking Bush	2	21225157	Concentric*
26	Wear Washer	4	21224386	Tracked or Untracked
27	Offset Support Plate	2	21222251	
28	Stud	4	21222255	M16 Zn
29	Nut	4	99527002	M16 Nyloc GR 8.0 Zn
30	Washer	4	99513009	M16 Zn

* If the pivot eye tracking is not fitted then tracking bushes are not supplied as they are prewelded to the frame mounting brackets.



an ArvinMeritor brand

Flexair FL9000M



Parts List FL9000M

Item	Description	Quantity	Part Number	Remarks
1	Frame Mounting Bracket	2	21222717- 18	Untracked, 228 - 253 Ride Height
1A	Frame Mounting Bracket	1	21222717L - 18L	Tracked L/H, 228 - 253 Ride Height
1A	Frame Mounting Bracket	1	21222717R - 18R	Tracked R/H, 228 - 253 Ride Height
1	Frame Mounting Bracket ⁽³⁾	2	21226520 -21	Untracked, 228 - 253 Ride Height
1A	Frame Mounting Bracket ⁽³⁾	1	21226520L - 21L	Tracked L/H, 228 - 253 Ride Height
1A	Frame Mounting Bracket ⁽³⁾	1	21226520R - 21R	Tracked R/H, 228 - 253 Ride Height
2	Airspring Pedestal Plate	2	21222452	228 Ride Height
2A	Airspring Pedestal Assembly	2	21221994	253 Ride Height
3	Spring Seat	2	21222262	
4	U Bolt Plate ⁽¹⁾	2	21224461	
5	Trailing Arm Assembly (C/W Bush) ⁽¹⁾	2	21224465	M30 Bush
5	Trailing Arm Assembly (C/W Bush) ⁽³⁾	2	21227323	M24 Bush
5A	Pivot Bush	2	21222609	M30 Pivot Bolt
5A	Pivot Bush ⁽³⁾	2	21224663	M24 Pivot Bolt
5B	Shim	4	21223609	Galvanised 3mm Top/Bott
5C	Shim	2	21222198	Galvanised 3mm Mid
5D	Bolt	2	21223606	M16 x 126 GR 8.8 Zn
5E	Nut	2	99527002	M16 Cleveloc GC 8.0 Zn
6	Pivot Bolt	2	21222234	M30 x 200 GR 8.8 Olive
6	Pivot Bolt ⁽³⁾	2	21222230	M24 x 195 GR 8.8 Olive
7	U Bolt ⁽¹⁾	4	21222326	M24 x 3.25
8	Damper	2	21224034	SP4-7T
8A	Damper Bush	4	21214754	For use with above Damper
9	Damper Bolt - Bottom	2	21222230	M24 x 195 GR 8.8 Olive
10	Damper Bolt - Top	2	21222231	M24 x 250 GR 8.8 Olive
11	Airspring	2	21222673	F14
12	Bolt	6	99526000	M12 x 35 Zn
13	Washer	6	99510003	M12 Spring Zn
14	U Bolt Nut	8	21222243	M24 Special U Bolt Plain
15	U Bolt Washer	8	21222923	M24 Special Hardened
16	Pivot Nut	2	99527003	M30 Nyloc GR 8.0 Zn
16	Pivot Nut ⁽³⁾	2	99527004	M24 Nyloc GR 8.0 Zn
17	Pivot Washer	2	99513008	M30 Plain
17	Pivot Washer ⁽³⁾	2	99513007	M24 Plain
18	Damper Nut	4	99527004	M24 Nyloc GR 8.0 Zn
19	Damper Washer	6	99513007	M24 Plain
20	Nut	8	99527000	M12 Cleveloc Zn
21	Washer	8	99513006	M12 Zn
24	Tracking Bush	2	21222221	Eccentric* - M30
24	Tracking Bush ⁽³⁾	2	21225156	Eccentric* - M24
25	Tracking Bush	2	21222287	Concentric* - M30
25	Tracking Bush ⁽³⁾	2	21225157	Concentric* - M24
26	Wear Plate	4	21222223	Tracked - M30
26	Wear Plate	4	21222690	Untracked - M30
26	Wear Plate ⁽³⁾	4	21224386	Tracked - M24
27	Offset Support Plate	2	21222248 - 52	95, 75 Std, 45, 30, 0
28	Stud	4	21222255	M16 Zn
29	Nut	4	99527002	M16 Nyloc GR 8.0 Zn
30	Washer	4	99513009	M16 Zn

⁽¹⁾ After June 1997

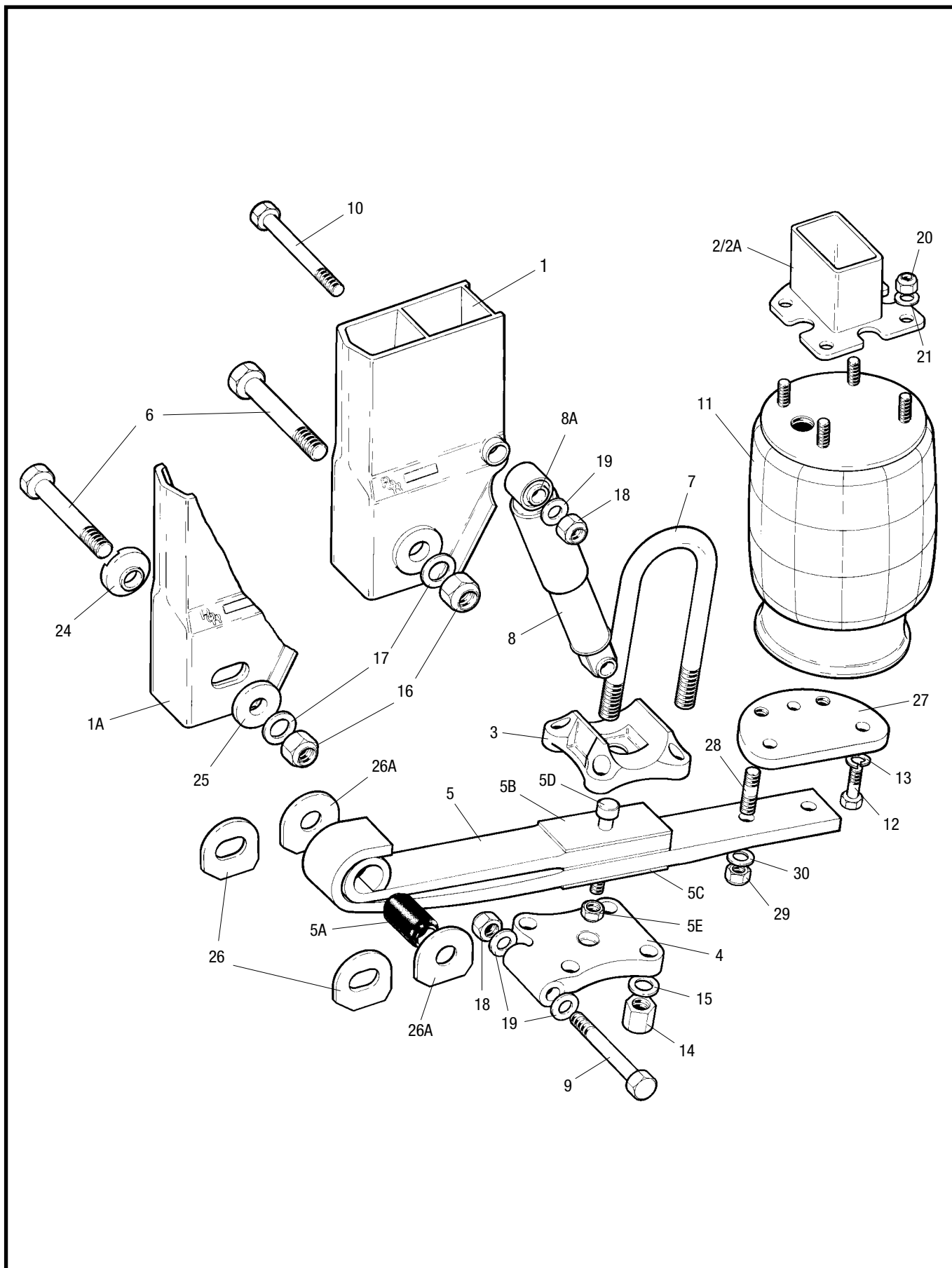
⁽³⁾ After Dec 2000

* If the pivot eye tracking is not fitted then tracking bushes are not supplied as they are prewelded to the frame mounting brackets.



an ArvinMeritor brand

Flexair FL11000





an ArvinMeritor brand

Parts List FL11000

Item	Description	Quantity	Part Number	Remarks
1	Frame Mounting Bracket	2	21221981 - 90	Untracked, 250 - 475 Ride Height
1A	Frame Mounting Bracket	1	21221981L - 90L	Tracked L/H, 250 - 475 Ride Height
1A	Frame Mounting Bracket	1	21221981R - 90R	Tracked R/H, 250 - 475 Ride Height
1	Frame Mounting Bracket ⁽¹⁾	2	21222716 - 25	Untracked, 250 - 475 Ride Height
1A	Frame Mounting Bracket ⁽¹⁾	1	21222716L - 25L	Tracked L/H, 250 - 475 Ride Height
1A	Frame Mounting Bracket ⁽¹⁾	1	21222716R - 25R	Tracked R/H, 250 - 475 Ride Height
2	Airspring Pedestal Plate	2	21222452	250 Height
2A	Airspring Pedestal Assembly	2	21221994 - 2002	275 - 475 Ride Height
3	Spring Seat	2	21222262	
4	U Bolt Plate	2	21222260	
5	Trailing Arm Assembly (C/W Bush)	2	21222118	
5A	Pivot Bush	2	21222609	
5B	Shim	4	21222198	Galvanised 3mm Top/Mid
5C	Packing Plate	2	21222436	10mm Bot-Ø17 Hole
5D	Bolt	2	21222196	M16 x 121 GR 8.8 Plain
5E	Nut	2	99527002	M16 Cleveloc GR 8.0 Zn
6	Pivot Bolt	2	21222234	M30 x 200 GR 8.8 Olive
7	U Bolt	4	21222326	M24 x 315
8	Damper	2	21216058	SP4 9T
8	Damper ⁽¹⁾	2	21222271	SP4 7T
8A	Damper Bush	4	21216032	For use with above Damper
9	Damper Bolt – Bottom	2	21222230	M24 x 195 GR 8.8 Olive
10	Damper Bolt – Top	2	21222231	M24 x 250 GR 8.8 Olive
11	Airspring	2	21222239	F11/L11
12	Bolt	6	99526000	M12 x 35 Zn
13	Washer	6	99510003	M12 Spring Zn
14	U Bolt Nut	8	21222243	M24 Special U Bolt Plain
15	U Bolt Washer	8	21222923	M24 Special Hardened
16	Pivot Nut	2	99527003	M30 Nyloc GR 8.0 Zn
17	Pivot Washer	2	99513008	M30 Plain
18	Damper Nut	4	99527004	M24 Nyloc GR 8.0 Zn
19	Damper Washer	6	99513007	M24 Plain
20	Nut	2	99527000	M12 Nyloc GR 8.0 Zn
21	Washer	8	99513006	M12 Zn
24	Tracking Bush	2	21222221	Eccentric*
25	Tracking Bush	2	21222287	Concentric*
26	Thrust Washer	4	21222223	Tracked Version
26A	Thrust Washer	4	21222690	Untracked Version
27	Offset Support Plate	2	21222248-52	95, 75, 45, 30, 0
28	Stud	4	21222255	M16 Zn
29	Nut	4	99527002	M16 Nyloc GR 8.0 Zn
30	Washer	4	99513009	M16 Zn

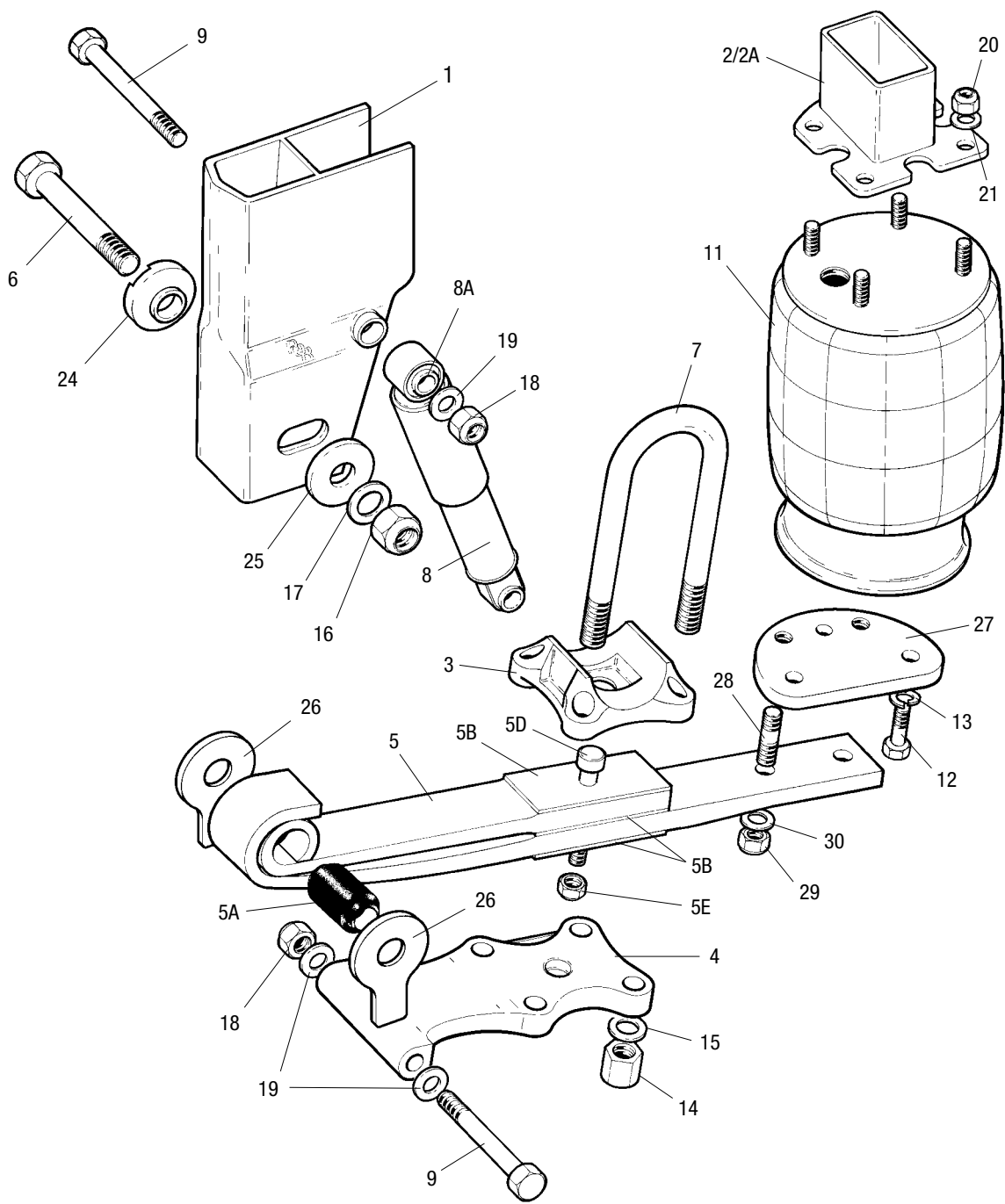
⁽¹⁾ Post April 1993

* If the pivot eye tracking is not fitted then tracking bushes are not supplied as they are prewelded to the frame mounting brackets.



an ArvinMeritor brand

Flexair FP11000



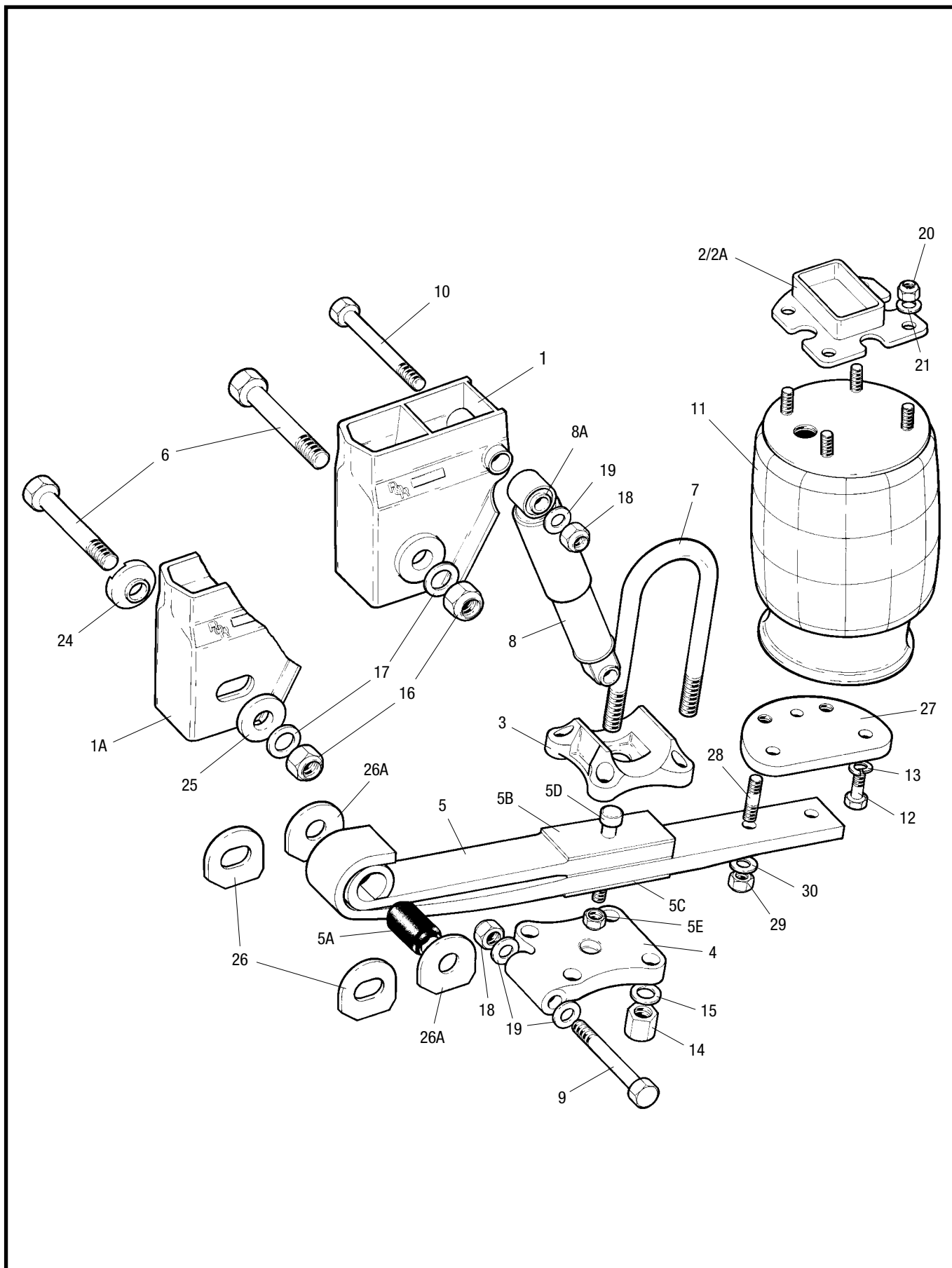
Parts List FP11000

Item	Description	Quantity	Part Number	Remarks
1	Frame Mounting Bracket	1	21226736L - 41L	Tracked L/H, 250 - 500 Ride Height
1	Frame Mounting Bracket	1	21226736R - 41R	Tracked R/H, 250 - 500 Ride Height
2	Airspring Pedestal Plate	2	21222452	250 Ride Height
2A	Airspring Pedestal Assembly	2	21221995	300 Ride Height
2A	Airspring Pedestal Assembly	2	21221997	350 Ride Height
2A	Airspring Pedestal Assembly	2	21221999	400 Ride Height
2A	Airspring Pedestal Assembly	2	21222001	450 Ride Height
2A	Airspring Pedestal Assembly	2	21226487	500 Ride Height
3	Spring Seat	2	21222262	
4	U Bolt Plate	2	21226999	
5	Trailing Arm Assembly (C/W Bush)	2	21225499	
5A	Pivot Bush	2	21222609	
5B	Shim	6	21222198	Galvanised 3mm
5D	Bolt	2	21222196	M16 x 121 GR 8.8 Plain
5E	Nut	2	99527002	M16 Cleveloc GR 8.0 Zn
6	Pivot Bolt	2	21222234	M30 x 200 GR 8.8 Olive
7	U Bolt	4	21222326	M24 x 315
8	Damper	2	21226989	SP4 7T
8A	Damper Bush	4	21216032	For use with above Damper
9	Damper Bolt	2	21222233	M24 x 300 GR 8.8 Olive
11	Airspring	2	21222239	F11
12	Bolt	6	99526000	M12 x 35 Zn
13	Washer	6	99510003	M12 Spring Zn
14	U Bolt Nut	8	21222243	M24 Special U Bolt Plain
15	U Bolt Washer	8	21222923	M24 Special Hardened
16	Pivot Nut	2	99527003	M30 Nyloc GR 8.0 Zn
17	Pivot Washer	2	99513008	M30 Plain
18	Damper Nut	4	99527004	M24 Nyloc GR 8.0 Zn
19	Damper Washer	6	99513007	M24 Plain
20	Nut	2	99527000	M12 Nyloc GR 8.0 Zn
21	Washer	8	99513006	M12 Zn
24	Tracking Bush	2	21227374	Eccentric
25	Tracking Bush	2	21227373	Concentric
26	Wear Washer	4	21227262	Tracked Version
27	Offset Support Plate	2	21222248-52	95, 75, 45, 30, 0
28	Stud	4	21222255	M16 Zn
29	Nut	4	99527002	M16 Nyloc GR 8.0 Zn
30	Washer	4	99513009	M16 Zn



an ArvinMeritor brand

Flexair FL11000L



Parts List FL11000L

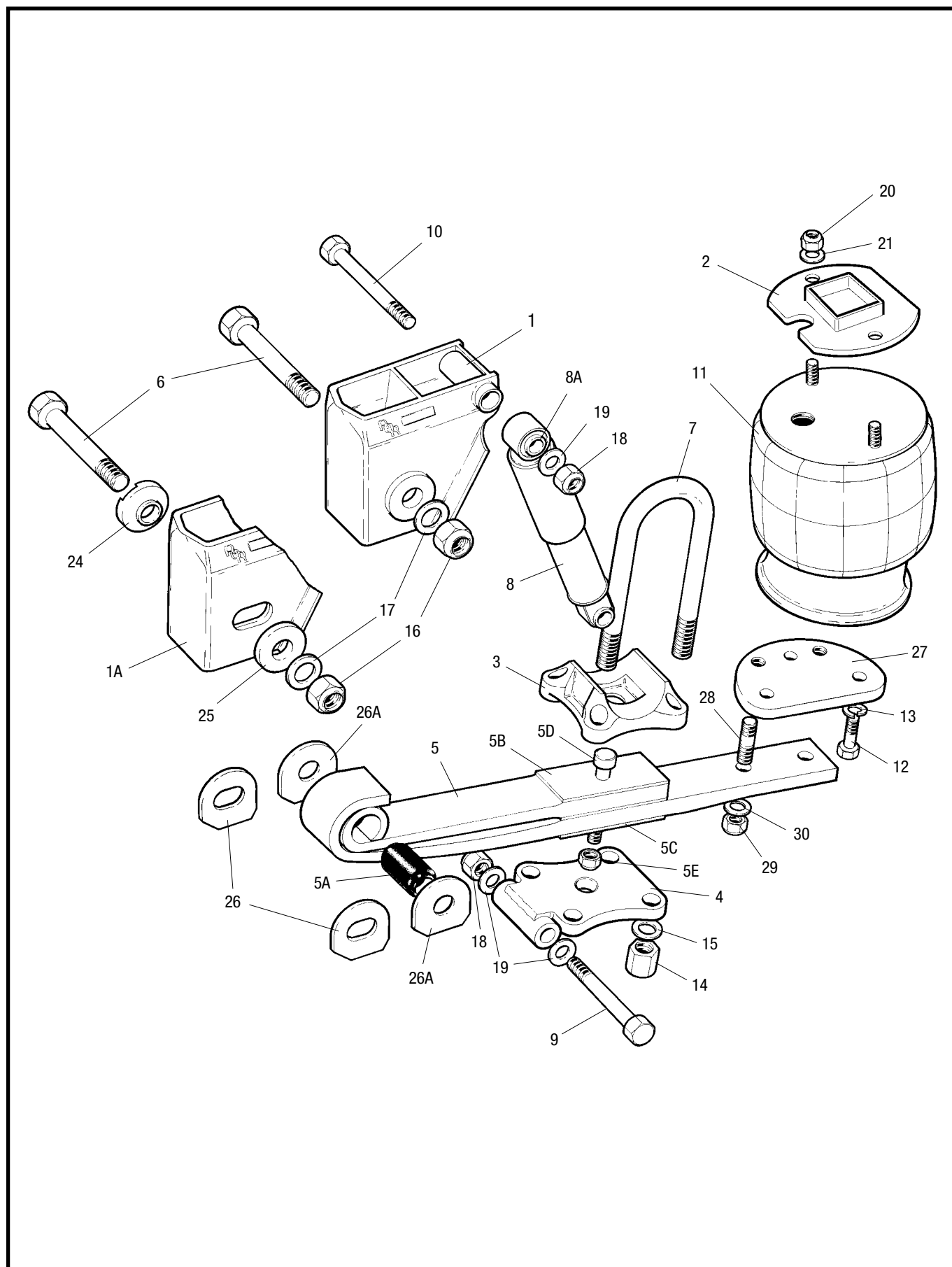
Item	Description	Quantity	Part Number	Remarks
1	Frame Mounting Bracket	2	21222714 - 16	Untracked, 200 - 250 Ride Height
1A	Frame Mounting Bracket	1	21222714L - 716L	Tracked L/H, 200 - 250 Ride Height
1A	Frame Mounting Bracket	1	21222714R - 716R	Tracked R/H, 200 - 250 Ride Height
2	Airspring Pedestal Plate	2	21222452	200 Ride Height
2A	Airspring Pedestal Assembly	2	21221994 - 95	225 - 250 Ride Height
3	Spring Seat	2	21222262	
4	U Bolt Plate R/H	1	21224436	
4	U Bolt Plate L/H	1	21224437	
5	Trailing Arm Assembly (C/W Bush)	2	21225499	
5A	Pivot Bush	2	21222609	
5B	Shim	4	21222198	Galvanised 3mm
5C	Packing Plate	2	21222436	10mm Thk-Ø17 Hole
5D	Bolt	2	21222196	M16 x 121 GR 8.8 Plain
5E	Nut	2	99527002	M16 Cleveloc GR 8.0 Zn
6	Pivot Bolt	2	21222234	M30 x 200 GR 8.8 Olive
7	U Bolt	4	21222326	M24 x 315
8	Damper	2	21224745	SP4 7T
8A	Damper Bush	4	21216032	For use with above Damper
9	Damper Bolt – Bottom	2	21222230	M24 x 195 GR 8.8 Olive
10	Damper Bolt – Top	2	21222231	M24 x 250 GR 8.8 Olive
11	Airspring	2	21208082	F7
12	Bolt	6	99526000	M12 x 35 Zn
13	Washer	6	99510003	M12 Spring Zn
14	U Bolt Nut	8	21222243	M24 Special U Bolt Plain
15	U Bolt Washer	8	21222923	M24 Special Hardened
16	Pivot Nut	2	99527003	M30 Nyloc GR 8.0 Zn
17	Pivot Washer	2	99513008	M30 Plain
18	Damper Nut	4	99527004	M24 Nyloc GR 8.0 Zn
19	Damper Washer	6	99513007	M24 Plain
20	Nut	8	99527000	M12 Nyloc GR 8.0 Zn
21	Washer	8	99513006	M12 Zn
24	Tracking Bush	2	21222221	Eccentric*
25	Tracking Bush	2	21222287	Concentric*
26	Thrust Washer	4	21222223	Tracked Version
26A	Thrust Washer	4	21222690	Untracked Version
27	Offset Support Plate	2	21222248 - 52	95, 75, 45, 30, 0
28	Stud	4	21222255	M16 Zn
29	Nut	4	99527002	M16 Nyloc GR 8.0 Zn
30	Washer	4	99513009	M16 Zn

* If the pivot eye tracking is not fitted then tracking bushes are not supplied as they are prewelded to the frame mounting brackets.



an ArvinMeritor brand

Flexair FL11000/150



Parts List FL11000/150

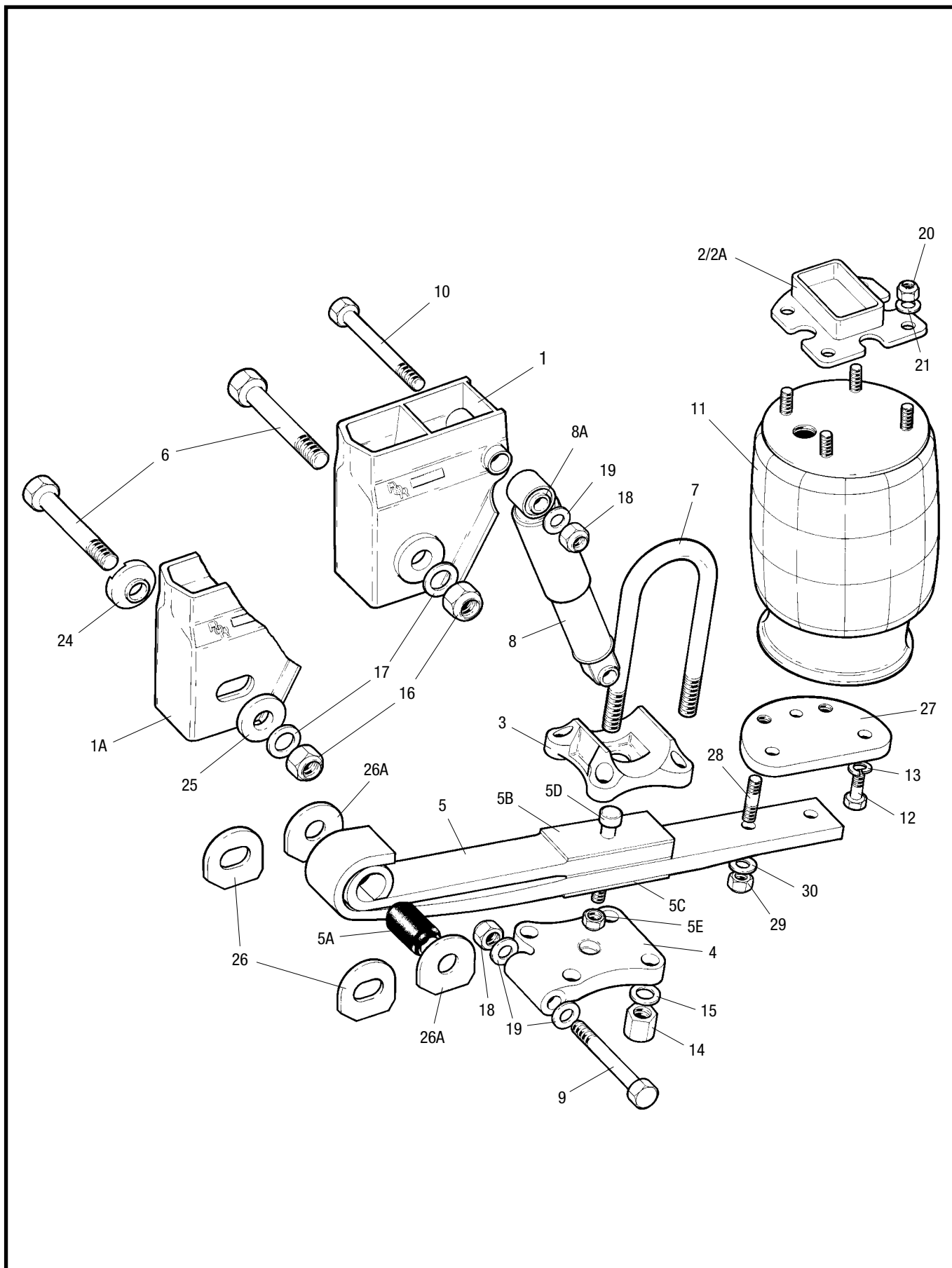
Item	Description	Quantity	Part Number	Remarks
1	Frame Mounting Bracket	2	21222714	Untracked, 150 Ride Height
1A	Frame Mounting Bracket	1	21222714L	Tracked L/H, 150 Ride Height
1A	Frame Mounting Bracket	1	21222714R	Tracked R/H, 150 Ride Height
2	Airspring Pedestal Assembly	2	21223263	150 Ride Height
3	Spring Seat	2	21222262	
4	U Bolt Plate	2	21223262	
5	Trailing Arm Assembly (C/W Bush)	2	21222118	
5A	Pivot Bush	2	21222609	
5B	Shim	4	21222198	Galvanised 3mm
5C	Packing Plate	2	21222436	10mm Thk-Ø17 Hole
5D	Bolt	2	21222196	M16 x 121 GR 8.8 Plain
5E	Nut	2	99527002	M16 Cleveloc GR 8.0 Zn
6	Pivot Bolt	2	21222234	M30 x 200 GR 8.8 Olive
7	U Bolt	4	21222326	M24 x 315
8	Damper	2	21224745	SP4 7T
8A	Damper Bush	4	21216032	For use with above Damper
9	Damper Bolt	4	21222231	M24 x 250 GR 8.8 Olive
11	Airspring	2	21223269	1T15L4-M2 HYT
12	Bolt	6	99526001	M12 x 25 Zn
13	Washer	6	99510003	M12 Spring Zn
14	U Bolt Nut	8	21222243	M24 Special U Bolt Plain
15	U Bolt Washer	8	21222923	M24 Special Hardened
16	Pivot Nut	2	99527003	M30 Nyloc GR 8.0 Zn
17	Pivot Washer	2	99513008	M30 Plain
18	Damper Nut	4	99527004	M24 Nyloc GR 8.0 Zn
19	Damper Washer	6	99513007	M24 Plain
20	Nut	4	93400136	½" UNC Ph
21	Washer	8	93600072	½"
24	Tracking Bush	2	21222221	Eccentric*
25	Tracking Bush	2	21222287	Concentric*
26	Thrust Washer	4	21222223	Tracked Version
26A	Thrust Washer	4	21222690	Untracked Version
27	Offset Support Plate	2	21222248 - 52	95, 75, 45, 30, 0
28	Stud	4	21222255	M16 Zn
29	Nut	4	99527002	M16 Nyloc GR 8.0 Zn
30	Washer	4	99513009	M16 Zn

* If the pivot eye tracking is not fitted then tracking bushes are not supplied as they are prewelded to the frame mounting brackets.



an ArvinMeritor brand

Flexair FL11000D



Parts List FL11000D

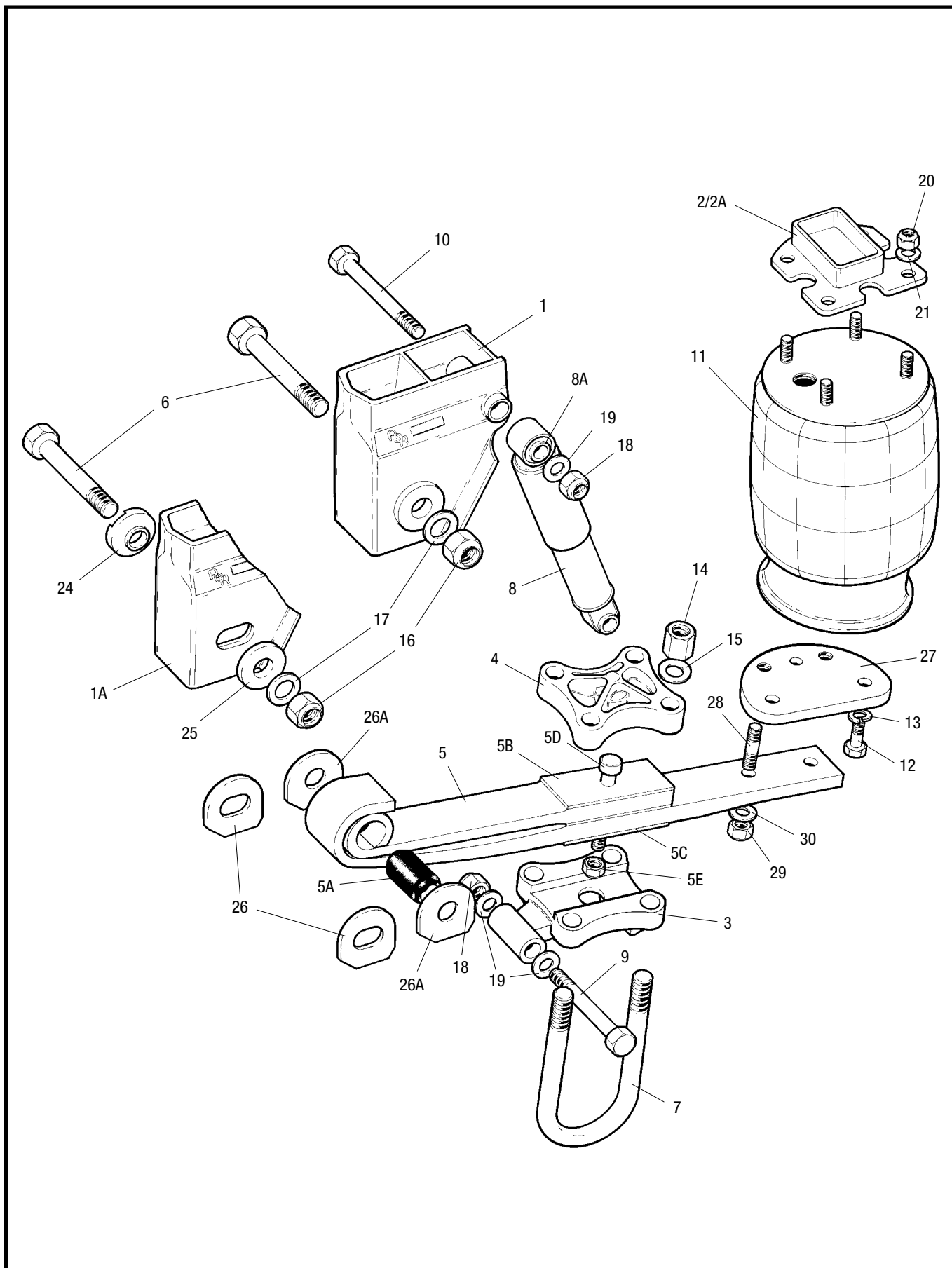
Item	Description	Quantity	Part Number	Remarks
1	Frame Mounting Bracket	2	21222715 - 24	Untracked, 225 - 450 Ride Height
1A	Frame Mounting Bracket	1	21222715L - 24L	Tracked L/H, 225 - 450 Ride Height
1A	Frame Mounting Bracket	1	21222715R - 24R	Tracked R/H, 225 - 450 Ride Height
2	Airspring Pedestal Plate	2	21222452	225 Height
2A	Airspring Pedestal Assembly	2	21221994 - 2002	250 - 450 Height
3	Spring Seat	2	21222262	
4	U Bolt Plate R/H	1	21224436	
4	U Bolt Plate L/H	1	21224437	
5	Trailing Arm Assembly (C/W Bush)	2	21225499	
5A	Pivot Bush	2	21222609	
5B	Shim	4	21222198	Galvanised 3mm
5C	Packing Plate	2	21222436	10mm Thk-Ø17 Hole
5D	Bolt	2	21222196	M16 x 121 GR 8.8 Plain
5E	Nut	2	99527002	M16 Cleveloc GR 8.0 Zn
6	Pivot Bolt	2	21222234	M30 x 200 GR 8.8 Olive
7	U Bolt	4	21222326	M24 x 315
8	Damper	2	21226058	SP4
8A	Damper Bush	4	21216032	For use with above Damper
9	Damper Bolt – Bottom	2	21222230	M24 x 195 GR 8.8 Olive
10	Damper Bolt – Top	2	21222231	M24 x 250 GR 8.8 Olive
11	Airspring	2	21222673	F14
12	Bolt	6	99526000	M12 x 35 Zn
13	Washer	6	99510003	M12 Spring Zn
14	U Bolt Nut	8	21222243	M24 Special U Bolt Plain
15	U Bolt Washer	8	21222923	M24 Special Hardened
16	Pivot Nut	2	99527003	M30 Nyloc GR 8.0 Zn
17	Pivot Washer	2	99513008	M30 Plain
18	Damper Nut	4	99527004	M24 Nyloc GR 8.0 Zn
19	Damper Washer	6	99513007	M24 Plain
20	Nut	8	99527000	M12 Nyloc GR 8.0 Zn
21	Washer	8	99513006	M12 Zn
24	Tracking Bush	2	21222221	Eccentric*
25	Tracking Bush	2	21222287	Concentric*
26	Thrust Washer	4	21222223	Tracked Version
26A	Thrust Washer	4	21222690	Untracked Version
27	Offset Support Plate	2	21222248 - 52	95, 75, 45, 30, 0
28	Stud	4	21222255	M16 Zn
29	Nut	4	99527002	M16 Nyloc GR 8.0 Zn
30	Washer	4	99513009	M16 Zn

* If the pivot eye tracking is not fitted then tracking bushes are not supplied as they are prewelded to the frame mounting brackets.



an ArvinMeritor brand

Flexair FL11000B



Parts List FL11000B

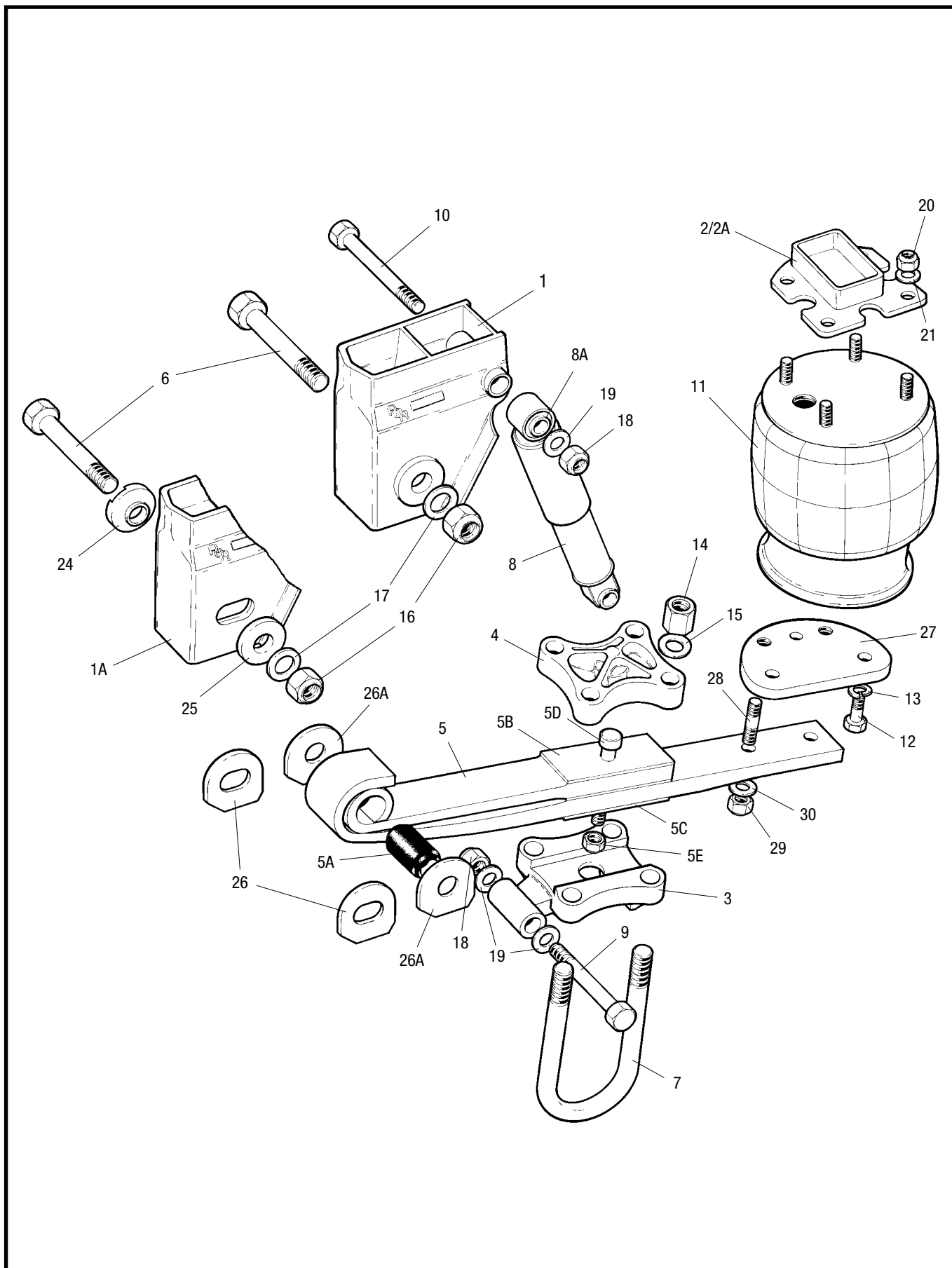
Item	Description	Quantity	Part Number	Remarks
1	Frame Mounting Bracket	2	21222716 - 25	Untracked, 500 - 725 Ride Height
1A	Frame Mounting Bracket	1	21222716L - 25L	Tracked L/H, 500 - 725 Ride Height
1A	Frame Mounting Bracket	1	21222716R - 25R	Tracked R/H, 500 - 725 Ride Height
2	Airspring Pedestal Plate	2	21222452	500 Ride Height
2A	Airspring Pedestal Assembly	2	21221994 - 2002	525 - 725 Ride Height
3	Spring Seat L/H	1	21225274L	
3	Spring Seat R/H	1	21225274R	
4	U Bolt Plate	2	21222395	
5	Trailing Arm Assembly (C/W Bush)	2	21225419	
5A	Pivot Bush	2	21222609	
5B	Shim	4	21222198	Galvanised 3mm
5C	Packing Plate	2	21222436	10mm Thk-Ø17 Hole
5D	Bolt	2	21222196	M16 x 121 GR 8.8 Plain
5E	Nut	2	99527002	M16 Cleveloc GR 8.0 Zn
6	Pivot Bolt	2	21222234	M30 x 200 GR 8.8 Olive
7	U Bolt	4	21222326	M24 x 315
8	Damper	2	21224745	SP4 7T
8A	Damper Bush	4	21216032	For use with above Damper
9	Damper Bolt – Bottom	2	21222230	M24 x 195 GR 8.8 Olive
10	Damper Bolt – Top	2	21222231	M24 x 250 GR 8.8 Olive
11	Airspring	2	21222239	F11
12	Bolt	6	99526000	M12 x 35 Zn
13	Washer	6	99510003	M12 Spring Zn
14	U Bolt Nut	8	21222243	M24 Special U Bolt Plain
15	U Bolt Washer	8	21222923	M24 Special Hardened
16	Pivot Nut	2	99527003	M30 Nyloc GR 8.0 Zn
17	Pivot Washer	2	99513008	M30 Plain
18	Damper Nut	4	99527004	M24 Nyloc GR 8.0 Zn
19	Damper Washer	6	99513007	M24 Plain
20	Nut	8	99527000	M12 Nyloc GR 8.0 Zn
21	Washer	8	99513006	M12 Zn
24	Tracking Bush	2	21222221	Eccentric*
25	Tracking Bush	2	21222287	Concentric*
26	Thrust Washer	4	21222223	Tracked Version
26A	Thrust Washer	4	21222690	Untracked Version
27	Offset Support Plate	2	21222248 - 52	95, 75, 45, 30, 0
28	Stud	4	21222255	M16 Zn
29	Nut	4	99527002	M16 Nyloc GR 8.0 Zn
30	Washer	4	99513009	M16 Zn

* If the pivot eye tracking is not fitted then tracking bushes are not supplied as they are prewelded to the frame mounting brackets.



an ArvinMeritor brand

Flexair FL11000LB



Parts List FL11000LB

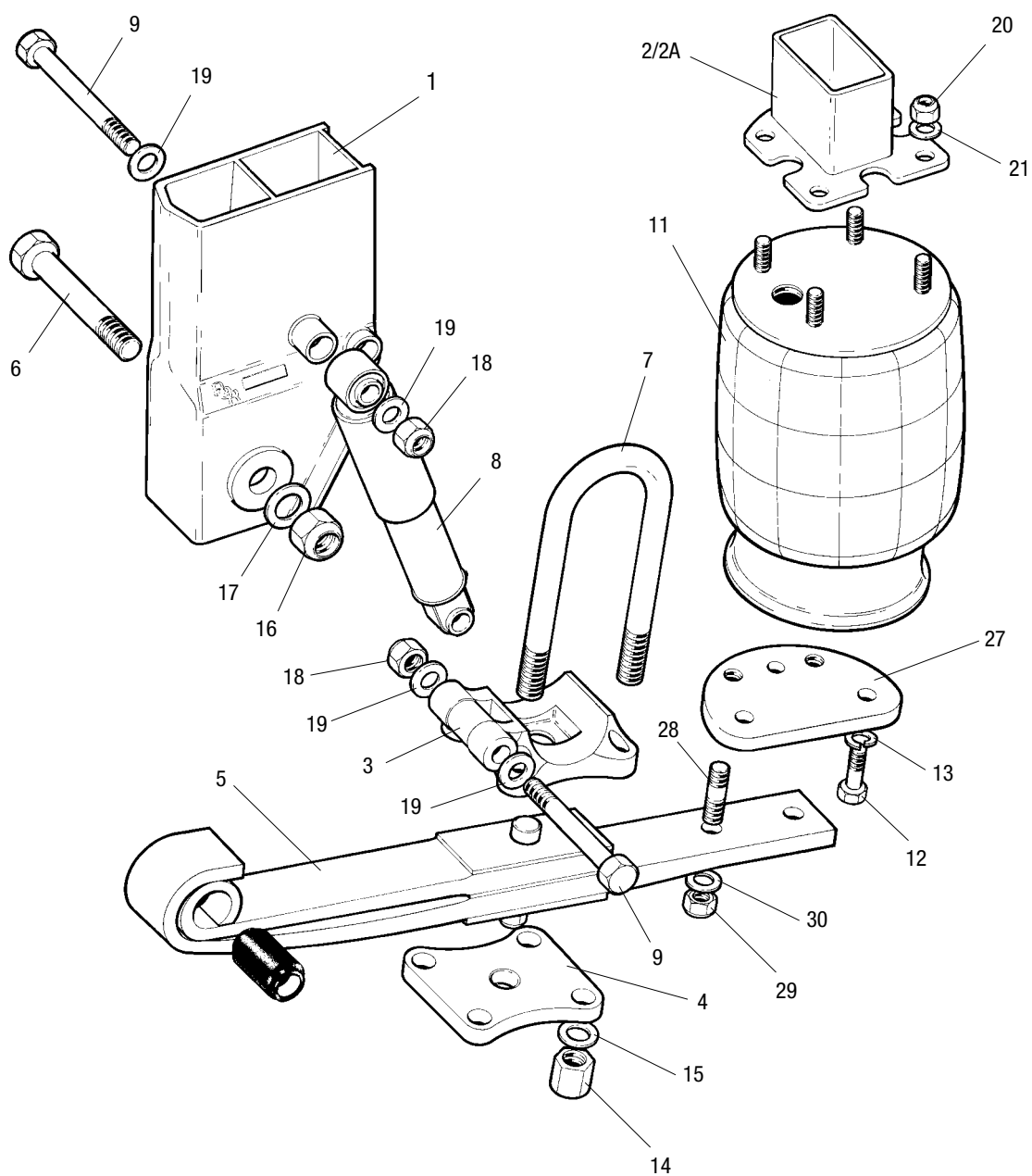
Item	Description	Quantity	Part Number	Remarks
1	Frame Mounting Bracket	2	21222714 - 16	Untracked, 450 - 500 Ride Height
1A	Frame Mounting Bracket	1	21222714L - 16L	Tracked L/H, 450 - 500 Ride Height
1A	Frame Mounting Bracket	1	21222714R - 16R	Tracked R/H, 450 - 500 Ride Height
2	Airspring Pedestal Plate	2	21222452	450 Ride Height
2A	Airspring Pedestal Assembly	2	21221994 - 95	475 - 500 Ride Height
3	Spring Seat L/H	1	21225274L	
3	Spring Seat R/H	1	21225274R	
4	U Bolt Plate	2	21222395	
5	Trailing Arm Assembly (C/W Bush)	2	21225419	
5A	Pivot Bush	2	21222609	
5B	Shim	4	21222198	Galvanised 3mm
5C	Packing Plate	2	21222436	10mm Thk-Ø17 Hole
5D	Bolt	2	21222196	M16 x 121 GR 8.8 Plain
5E	Nut	2	99527002	M16 Cleveloc GR 8.0 Zn
6	Pivot Bolt	2	21222234	M30 x 200 GR 8.8 Olive
7	U Bolt	4	21222326	M24 x 315
8	Damper	2	21224745	SP4 7T
8A	Damper Bush	4	21216032	For use with above Damper
9	Damper Bolt – Bottom	2	21222230	M24 x 195 GR 8.8 Olive
10	Damper Bolt – Top	2	21222231	M24 x 250 GR 8.8 Olive
11	Airspring	2	21208082	F7
12	Bolt	6	99526000	M12 x 35 Zn
13	Washer	6	99510003	M12 Spring Zn
14	U Bolt Nut	8	21222243	M24 Special U Bolt Plain
15	U Bolt Washer	8	21222923	M24 Special Hardened
16	Pivot Nut	2	99527003	M30 Nyloc GR 8.0 Zn
17	Pivot Washer	2	99513008	M30 Plain
18	Damper Nut	4	99527004	M24 Nyloc GR 8.0 Zn
19	Damper Washer	6	99513007	M24 Plain
20	Nut	8	99527000	M12 Nyloc GR 8.0 Zn
21	Washer	8	99513006	M12 Zn
24	Tracking Bush	2	21222221	Eccentric*
25	Tracking Bush	2	21222287	Concentric*
26	Thrust Washer	4	21222223	Tracked Version
26A	Thrust Washer	4	21222690	Untracked Version
27	Offset Support Plate	2	21222248 - 52	95, 75, 45, 30, 0
28	Stud	4	21222255	M16 Zn
29	Nut	4	99527002	M16 Nyloc GR 8.0 Zn
30	Washer	4	99513009	M16 Zn

* If the pivot eye tracking is not fitted then tracking bushes are not supplied as they are prewelded to the frame mounting brackets.



an ArvinMeritor brand

Flexair FL11000CT



Parts List FL11000CT

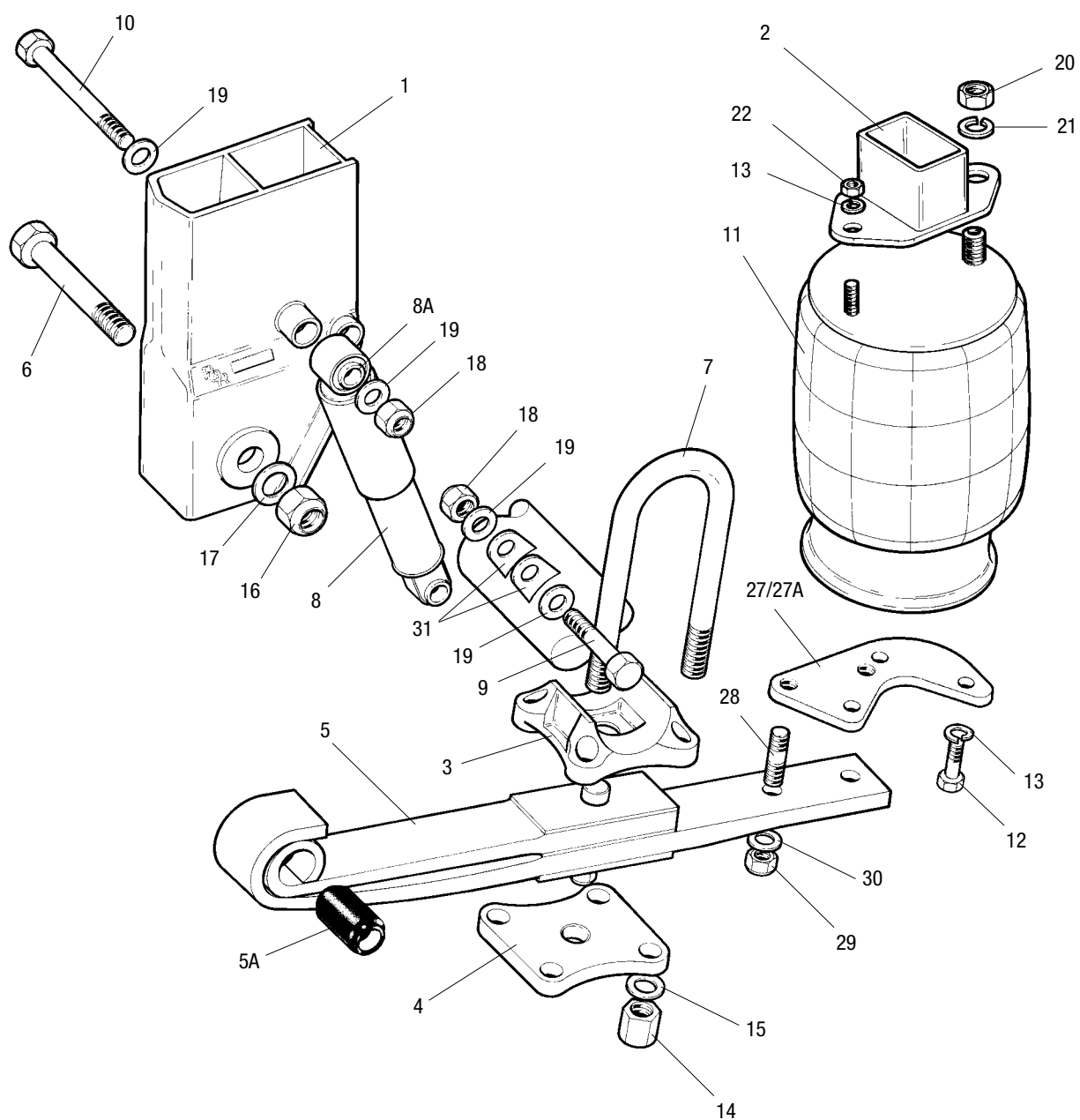
(Suitable for use with Hosta or Tridec)

Item	Description	Quantity	Part Number	Remarks
1	Frame Mounting Bracket	2	21221981- 90	250 - 475 Ride Height
2	Airspring Pedestal Plate	1	2122245	250 Ride Height
2A	Airspring Pedestal Assembly	2	21221994 - 2002	275 - 475 Ride Height
3	Spring Seat	2	21222399	FL9000 type inverted at 7°
4	U Bolt Plate	2	21222395	FL9000 type
5	Trailing Arm Assembly (C/W Bush)	2	21222118	FL11000 standard
6	Pivot Bolt	2	21222234	M30 x 200 GR 8.8 Olive
7	U Bolt	4	21222326	M24 x 315
8	Damper	2	21224745	SP4 7T
9	Damper Bolt	4	21222231	M24 x 250 GR 8.8 Olive
11	Airspring	2	21222239	F11
12	Bolt	6	99526000	M12 x 35 Zn
13	Washer	6	99510003	M12 Spring Zn
14	U Bolt Nut	8	21222243	M24 Special U Bolt Plain
15	U Bolt Washer	8	21222923	M24 Special Hardened
16	Pivot Nut	2	99527003	M30 Nyloc GR 8.0 Zn
17	Pivot Washer	2	99513008	M30 Plain
18	Damper Nut	4	99527004	M24 Nyloc GR 8.0 Zn
19	Damper Washer	4	99513007	M24 Plain
20	Nut	8	99527000	M12 Nyloc GR 8.0 Zn
21	Washer	8	99513006	M12 Zn
27	Offset Support Plate	2	21222249	75 offset preferred
28	Stud	4	21222255	M16 Zn
29	Nut	4	99527002	M16 Nyloc GR 8.0 Zn
30	Washer	4	99513009	M16 Zn



an ArvinMeritor brand

Flexair FL11000CS



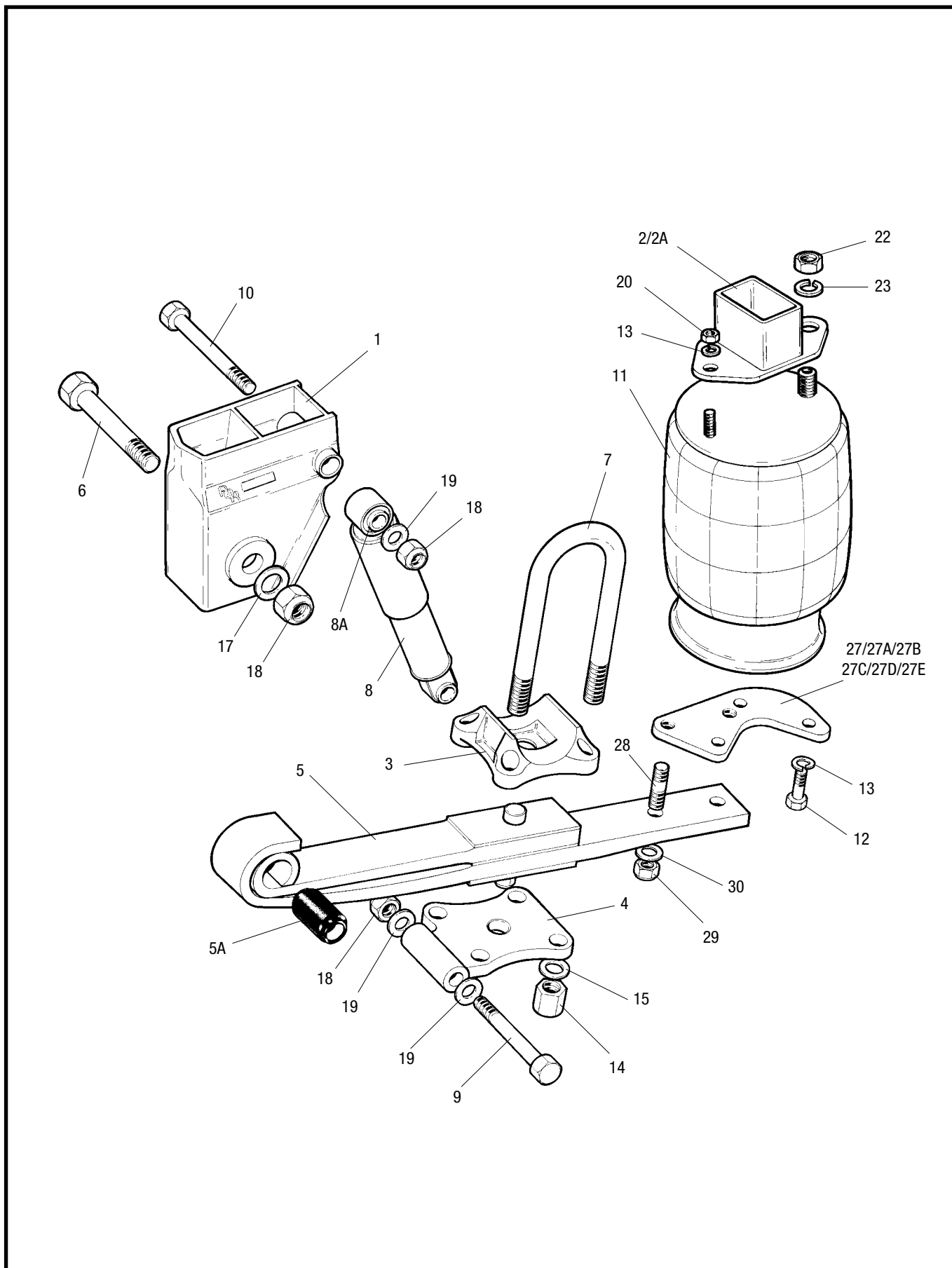
Parts List FL11000CS

Item	Description	Quantity	Part Number	Remarks
1	Frame Mounting Bracket	2	21223703 - 09	Untracked, 325 - 475 Ride Height
2	Airspring Pedestal Assembly	2	21215776 - 80	325 - 425 Ride Height
2	Airspring Pedestal Assembly	2	21215917 - 18	450 - 475 Ride Height
3	Spring Seat	2	21222262	
4	U Bolt Plate	2	21222395	
5	Trailing Arm Assembly (C/W Bush)	2	21222118	
5A	Pivot Bush	2	21222609	
6	Pivot Bolt	2	21222234	M30 x 200 GR 8.8 Olive
7	U Bolt	4	21222326	M24 x 315
8	Damper	2	21224745	SP4 7T,
9	Damper Bolt – Bottom	2	21208315	M24 x 110 GR 8.8 Olive
10	Damper Bolt – Top	2	21222233	M24 x 300 GR 8.8 Olive
11	Airspring	2	21215891	1T 15 M9 (1T 323.40)
12	Bolt	6	99526000	M12 x 35 Zn
13	Washer	8	99510003	M12 Spring Zn
14	U Bolt Nut	8	21222243	M24 Special U Bolt Plain
15	U Bolt Washer	14	21222923	M24 Special Hardened
16	Pivot Nut	2	99527003	M30 Nyloc GR 8.0 Zn
17	Pivot Washer	2	99513008	M30 Plain
18	Damper Nut	4	99527004	M24 Nyloc GR 8.0 Zn
19	Damper Washer	6	99513007	M24 Plain
20	Nut	2	99512007	M12
22	Nut	2	99528000	M22
23	Washer	2	99510004	M22 Spring Zn
27	Offset Support Plate RH	1	21215795	75 Offset
27A	Offset Support Plate LH	1	21215796	75 Offset
28	Stud	4	21222255	M16 Zn
29	Nut	4	99527002	M16 Nyloc GR 8.0 Zn
30	Washer	4	99513009	M16 Zn
31	Damper Bracket	4	21223701	Welded to Axle Beam



an ArvinMeritor brand

Flexair FL11000LS





an ArvinMeritor brand

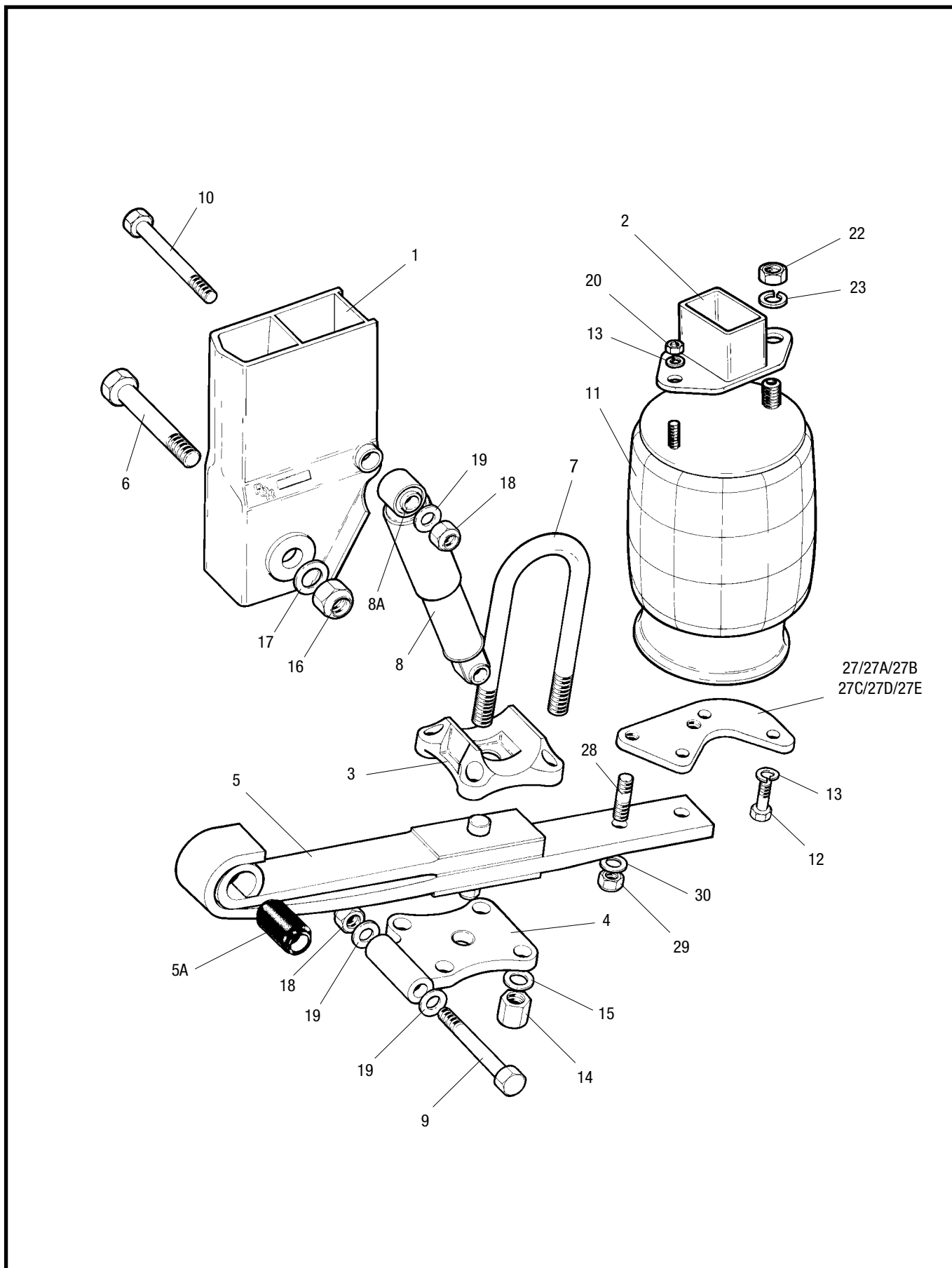
Parts List FL11000LS

Item	Description	Quantity	Part Number	Remarks
1	Frame Mounting Bracket	2	21222714 - 16	Untracked 200 - 250 Ride Height
2	Airspring Pedestal Plate	2	21208858	200 Ride Height
2A	Airspring Pedestal Assembly	2	21215773 - 4	225 - 250 Ride Height
3	Spring Seat	2	21222262	
4	U Bolt Plate	2	21222260	
5	Trailing Arm Assembly (Meritor UK)	2	21222118	
5	Trailing Arm Assembly (Meritor Italia)	2	21215600	
6	Pivot Bolt	2	21222234	M30 x 200 GR 8.8 Olive
7	U Bolt	4	21222326	M24 x 315
8	Damper	2	21224745	SP4 7T
9	Damper Bolt – Bottom	2	21222230	M24 x 195 GR 8.8 Olive
10	Damper Bolt – Top	2	21222231	M24 x 250 GR 8.8 Olive
11	Airspring	2	21215762	1T 15 M6
12	Bolt	6	99526000	M12 x 35 Zn
13	Washer	8	99510003	M12 Spring Zn
14	U Bolt Nut	8	21222243	M24 Special U Bolt Plain
15	U Bolt Washer	8	21222923	M24 Special Hardened
16	Pivot Nut	2	99527003	M30 Nyloc GR 8.0 Zn
17	Pivot Washer	2	99513008	M30 Plain
18	Damper Nut	4	99527004	M24 Nyloc GR 8.0 Zn
19	Damper Washer	6	99513007	M24 Plain
20	Nut	2	99512007	M12
22	Nut	2	99528000	M22
23	Washer	2	99510004	M22 Spring Zn
27	Offset Support Plate (Meritor Italia)	2	21215794	0mm
27A	Offset Support Plate (Meritor Italia) (LH)	1	21212481D	75mm
27B	Offset Support Plate (Meritor Italia) (RH)	1	21212481S	75mm
27C	Offset Support Plate (Meritor UK)	2	21225420	0mm
27D	Offset Support Plate (Meritor UK) (LH)	1	21215795	75mm
27E	Offset Support Plate (Meritor UK) (RH)	1	21215796	75mm
28	Stud	4	21222255	M16 Zn
29	Nut	4	99527002	M16 Nyloc GR 8.0 Zn
30	Washer	4	99513009	M16 Zn



an ArvinMeritor brand

Flexair FL11000S





an ArvinMeritor brand

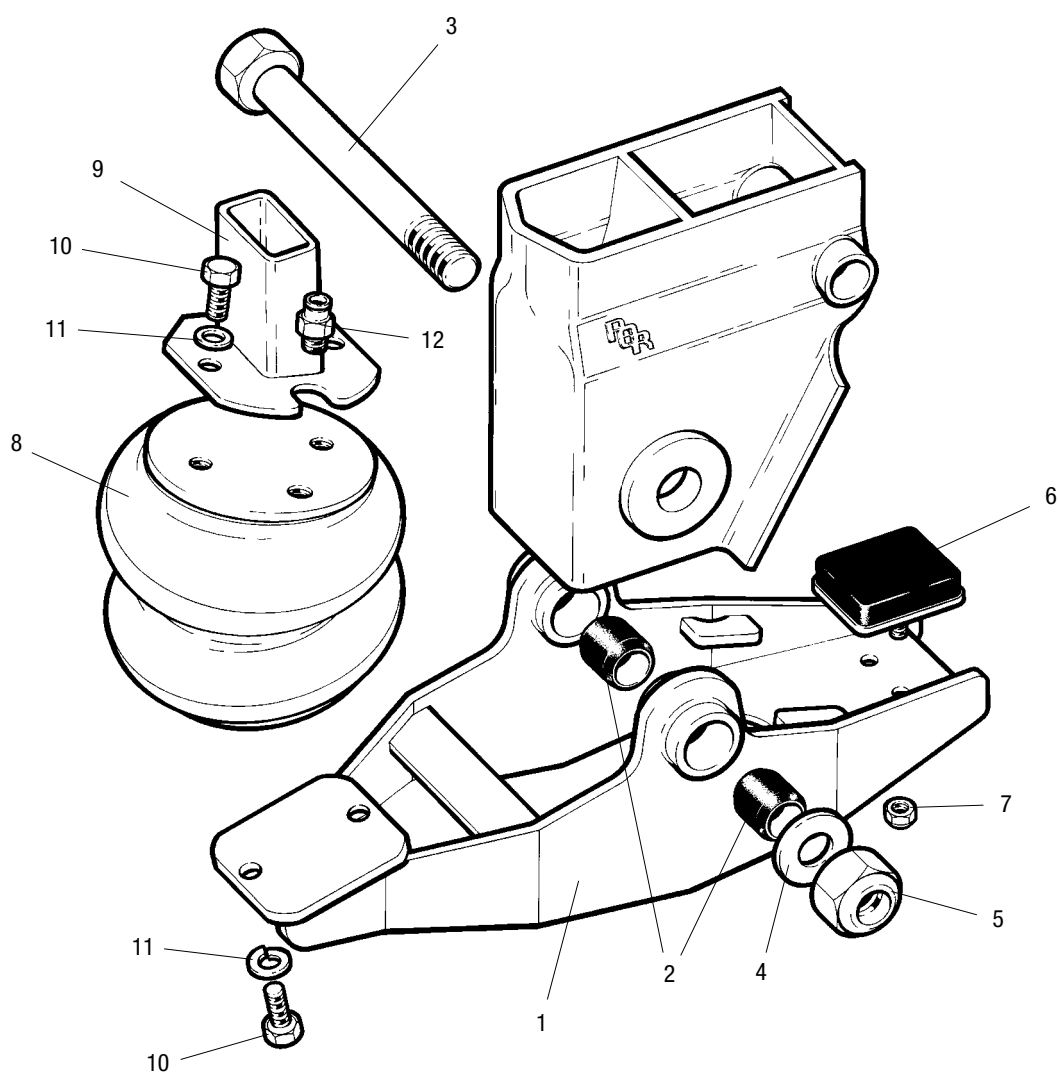
Parts List FL11000S

Item	Description	Quantity	Part Number	Remarks
1	Frame Mounting Bracket	2	21222716 - 25	Untracked, 250 - 475 Ride Height
2	Airspring Pedestal Assembly	2	21215917 - 8	450 - 475 Ride Height
3	Spring Seat	2	21222262	
4	U Bolt Plate	2	21222260	
5	Trailing Arm Assembly (C/W Bush)	2	21222118	
5	Trailing Arm Assembly (Meritor Italia)	2	21215600	
6	Pivot Bolt	2	21222234	M30 x 200 GR 8.8 Olive
7	U Bolt	4	21222326	M24 x 315
8	Damper	2	21224745	SP4 7T
9	Bolt	2	21222230	M24 x 195 GR 8.8 Olive
10	Bolt	2	21222231	M24 x 250 GR 8.8 Olive
11	Airspring	2	21215891	1T - 15 M9 / 1T 323.40
12	Bolt	6	99526000	M12 x 35 Zn
13	Washer	8	99510003	M12 Spring Zn
14	U Bolt Nut	8	21222243	M24 Special U Bolt Plain
15	U Bolt Washer	8	21222923	M24 Special Hardened
15	Pivot Nut	2	99527003	M30 Nyloc GR 8.0 Zn
17	Pivot Washer	2	99513008	M30 Plain
18	Damper Nut	4	99527004	M24 Nyloc GR 8.0 Zn
19	Damper Washer	6	99513007	M24 Plain
20	Nut	2	99512007	M12
22	Nut	2	99528000	M22
23	Washer	2	99510004	M22 Spring Zn
27	Offset Support Plate (Meritor Italia)	2	21215794	0mm
27A	Offset Support Plate (Meritor Italia) (LH)	1	21212481D	75mm
27B	Offset Support Plate (Meritor Italia) (RH)	1	21212481S	75mm
27C	Offset Support Plate (Meritor UK)	2	21225420	0mm
27D	Offset Support Plate (Meritor UK) (LH)	1	21215795	75mm
27E	Offset Support Plate (Meritor UK) (RH)	1	21215746	75mm
28	Stud	4	21222255	M16 Zn
29	Nut	4	99527002	M16 Nyloc GR 8.0 Zn
30	Washer	4	99513009	M16 Zn



an ArvinMeritor brand

Flexair Axle Lift

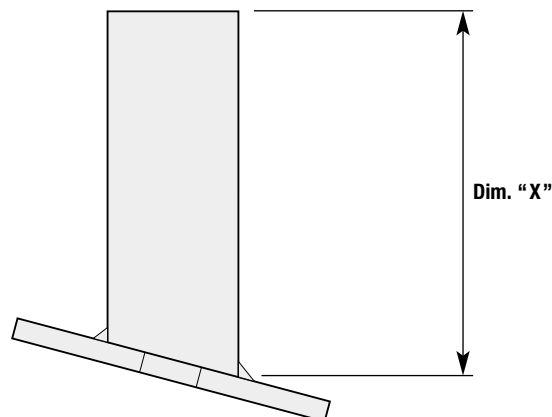


Axle Lift Parts List

Suitable for use with FL9000M and FL11000 Suspensions

Item	Description	Quantity	Part Number	Remarks
1	Lift Arm	2	21223745	
2	Pivot Bush	4	21223742	
3	Pivot Bolt	2	21223744	M30 x 290 Zn
4	Pivot Washer	4	99513008	M30 Zn
5	Pivot Nut	2	99527003	M30 Zn
6	Rubber Pad	2	21223749	
7	Nut	4	21208424	M8 x 1.25 Nyloc Zn
8	Airspring	2	21221356	Type 20-2
9	Airspring Pedestal Assy	2	See Table	
10	Top/Lower Airspring Screw	8	99518001	M10 Zn
11	Top/Lower Airspring Washer	8	99510006	M10 Zn
12	Stud Coupling	2	21224037	

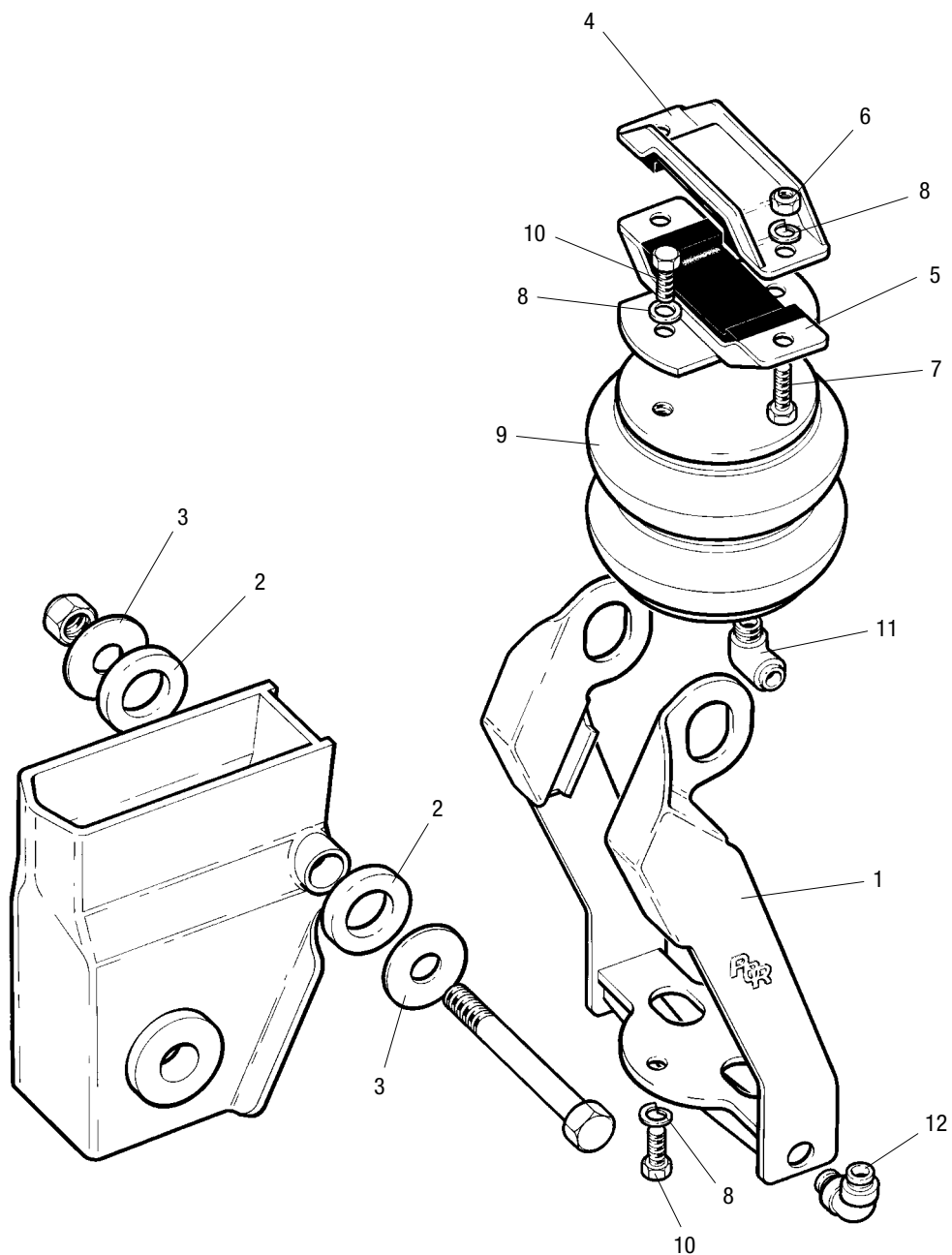
AIR PEDESTAL HEIGHTS						
FL9000M Ride Height	FL9000M L/H Ped Assy Part Number	FL9000M R/H Ped Assy Part Number	FL11000 Ride Height	FL11000 L/H Ped Assy Part Number	FL11000 R/H Ped Assy Part Number	Dim. "X"
-	-	-	200	21224017	21223999	43.0
-	-	-	225	21224018	21224000	68.0
-	-	-	250	21224019	21224001	93.0
228	21224020	21224002	275	21224020	21224002	118.0
253	21224021	21224003	300	21224021	21224003	143.0
278	21224022	21224004	325	21224022	21224004	168.0
303	21224023	21224005	350	21224023	21224005	193.0
-	-	-	375	21224024	21224006	218.0
-	-	-	400	21224025	21224007	243.0
-	-	-	425	21224026	21224008	268.0
-	-	-	450	21224027	21224009	293.0
-	-	-	475	21224028	21224010	318.0





an ArvinMeritor brand

Flexair Cradle Lift



Dual Side Cradle Lift Parts List

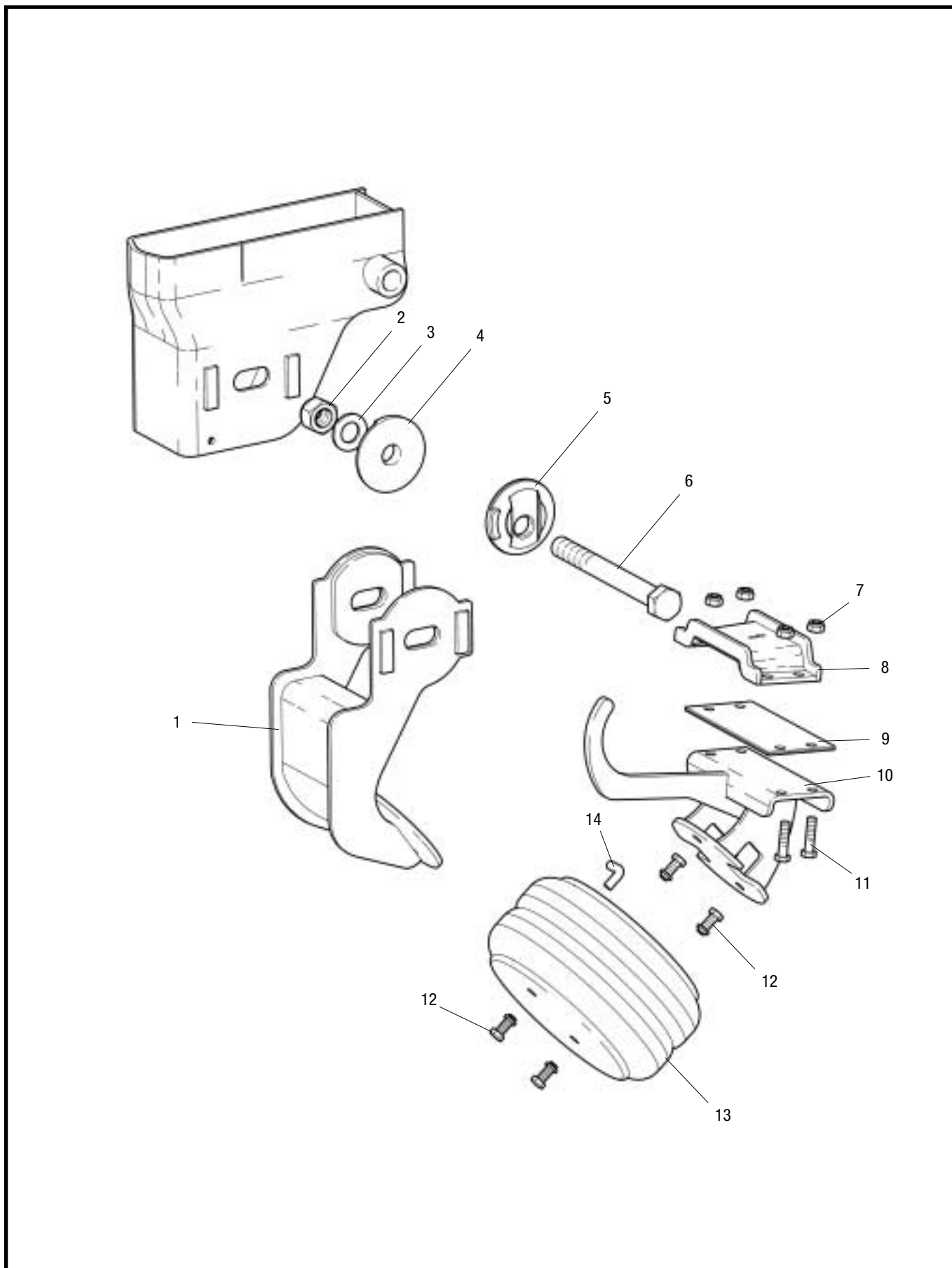
Suitable for use with FL9000 and FL9000L Suspensions

Item	Description	Quantity	Part Number	Remarks
1	Cradle Assembly	2	21223183	
2	Spacer Tube	4	21223186	
3	M24 Form D Washer	4	99542001	
4	Clamp (Top Half)	2	21223173	
5	Clamp (Bottom Half)	2	21223172	
6	Nut	4	99527005	M10 Nyloc
7	Screw	4	99518004	M10 x 40
8	Spring Washer	12	99510006	M10
9	Airspring	2	21222663	
10	Screw	8	99518001	M10 x 25
11	Stud Elbow Adaptor	2	21223053	
12	Elbow Adaptor	2	21223190	



an ArvinMeritor brand

Flexair NB Axle Lift (tracked only)



Parts List

Suitable for use with Flexair NB tracked type suspensions

Item	Description	Quantity	Part Number	Remarks
1	Lift Welded Assembly R.H.	1	21227251 RH	
1	Lift Welded Assembly L.H.	1	21227251 LH	
2	Pivot Nut	2	99527004	M24
3	Pivot Washer	2	99513007	Ø24
4	Tracking Bush	1	21225156	Not supplied
5	Tracking Bush	1	21225157	Not supplied
6	Pivot Bolt	1	21216189	M24 x 225
7	Nut	8	99527005	M10
8	Top Clamp	2	21227273	
9	Clamp Shim	2	21227274	
10	Clamp Welded Assembly	2	21227257	
11	Bolt	8	99518004	M10 x 40
12	Screw	8	99518001	M10 x 25
13	Airspring	2	21222663	
14	Elbow Adaptor	2	21223190	



an ArvinMeritor brand

Warranty

A comprehensive network of original parts distributors and service stations operate throughout Europe; this is supported internationally with agents strategically placed around the world.

All Meritor replacement parts obtained through original parts distributors are covered by a one year warranty.

For full warranty terms and conditions see 'Meritor Warranty Terms and Conditions' Publication No 4.84.1

Meritor reserve the right to make changes in specifications shown herein or add improvements at any time without notice or obligation.

PARTS SHOWN IN THIS SPARES LIST ARE MADE FROM DRAWINGS IN WHICH COPYRIGHT SUBSISTS. THE MAKING OF COPIES OF ANY OF THESE PARTS IS PROHIBITED.

© Meritor HVS Limited



The high quality assurance management systems applied by Meritor are endorsed with the awarding of ISO 9001, Lloyd's Register Quality Assurance.



an **ArvinMeritor** brand



an **ArvinMeritor** brand



an **ArvinMeritor** brand

Meritor HVS Limited
Commercial Vehicle Systems
Rackery Lane, Llay
Wrexham LL12 0PB
U.K.
Telephone: +44 (0)1978 852141
Fax: +44 (0)1978 856173

Meritor HVS (Mityr-Mory) S.A.
Commercial Vehicle Systems
Z.I. du Moulin à Vent
9 rue des Frères Lumière
77290 Mityr-Mory
France
Telephone: +33 (0)1 64.27.44.61
Fax: +33 (0)1 64.27.30.45

Meritor HVS (Verona) s.r.l.
Commercial Vehicle Systems
Via Monte Fiorino, 23
37057 San Giovanni Lupatoto
Verona
Italy
Telephone: +39 045 8750399
Fax: +39 045 8750640 / 8750513

Meritor HVS (Barcelona) S.A.
Commercial Vehicle Systems
Ctra. Granollers - Sabadell Km. 13,3
Poligono Argelagues
08185 Lliçà de Vall
Spain
Telephone: +34 (9)3 843 95 68
Fax: +34 (9)3 843 83 59

ArvinMeritor Inc.
World Headquarters
2135 West Maple Road
Troy, Michigan 48084
U.S.A.
Telephone: +1 248 435 1000

ArvinMeritor
Commercial Vehicle Aftermarket AG
Neugutstrasse 89
8600 Dübendorf
Switzerland
Telephone: +41 (0)1 824 8200
Fax: +41 (0)1 824 8264

ArvinMeritor
Commercial Vehicle Systems
Postbus 255
5700AG Helmond
Churchillaan 204A
5705BK Helmond
Holland
Telephone: +31 (0)492 535805
Fax: +31 (0)492 547175

ArvinMeritor South Africa
Commercial Vehicle Systems
Telephone: +27 (0) 83 602 1603

For further information contact

Meritor HVS Limited
Commercial Vehicle Systems
Rackery Lane, Llay
Wrexham LL12 0PB
U.K.
Telephone: +44 (0)1978 852141
Fax: +44 (0)1978 856173

www.arvinmeritor.com

© Copyright 2001
Meritor Automotive
All rights Reserved

Publication 4.95.1

Descriptions and specifications were in effect at the time of publication and are subject to change without notice or liability. Meritor reserve the right to make design improvements, change or discontinue parts at any time.

ArvinMeritor™