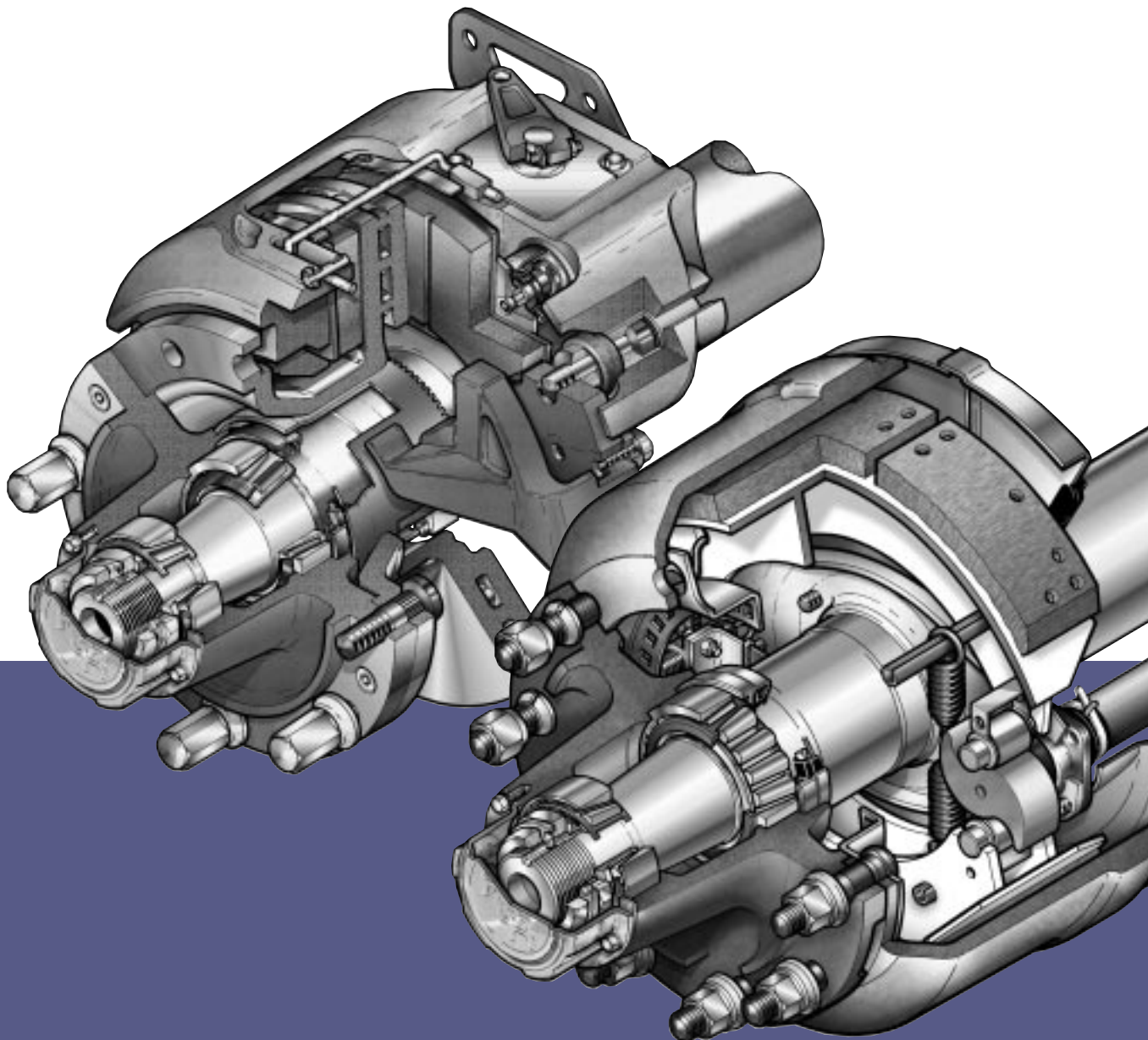




an **ArvinMeritor** brand

# Meritor Axle & Brake Parts List

TM Series Axles including Disc and Drum Brake variants

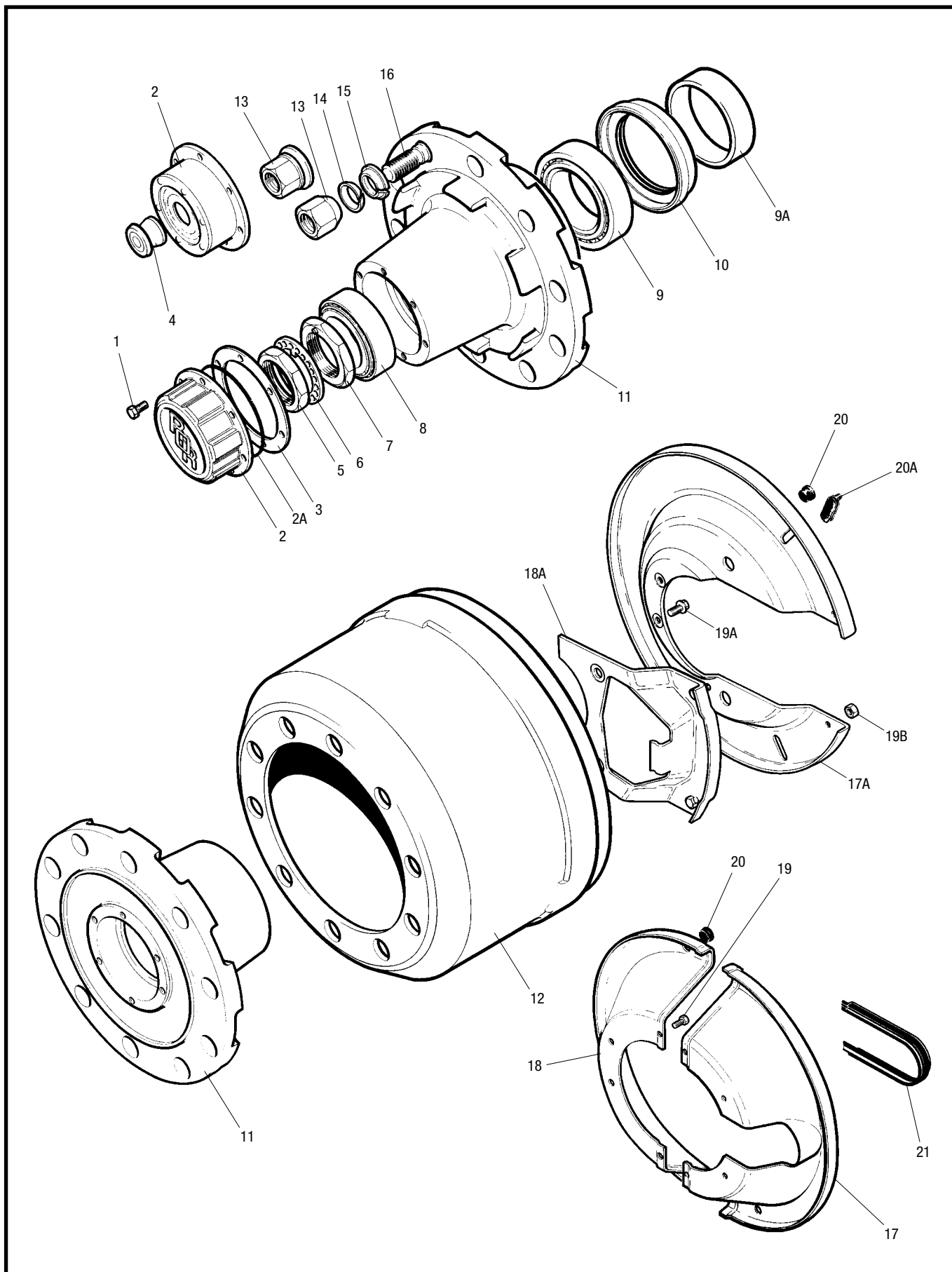


**ArvinMeritor**<sup>TM</sup>



an ArvinMeritor brand

# TM Parts List



# TM Parts List

## TM Hub Assembly Parts List

Item	Description	'AC' 310 x 190	'B' 350 x 200	'Q' 420 x 180	'Z' 420 x 220	33000 420 x 220
1	Hub Cap Screw	99140001	99140001	99140001	99140001	99140001
2	Hub Cap – Grease	21202627	21202627	21202627	21202627	21205583
2	Hub Cap Oil Filled	21200624	21200624	21200624	21200624	
2	Hub Cap (Grease) for Hubodometer	21202627A	21202627A	21202627A	21202627A	
2	Hub Cap (Oil) for Hubodometer	21204834	21204834	21204834	21204834	
2	Hub Cap (for Alloy Hub)			21223112	21223112	
2A	'O' Ring (for Alloy Hub)			21223113	21223113	
3	Gasket – Grease Filled	21211378	21211378	21211378	21211378	21014990
3	Gasket – Oil Filled	21021002	21021002	21021002	21021002	
4	Vent Plug – Oil Filled	21021883	21021883	21021883	21021883	
5	Locknut	21210819	21210819	21210819	21210819	21014988
6	Lockwasher	21020818	21020818	21020818	21020818	21014992
7	Bearing Adjustment Nut	21205571	21205571	21205571	21205571	21014986
8	Outer Bearing	99041045B	99041045B	99041045B	99041045B	99041058
9	Inner Bearing	99041035B	99041035B	99041035B	99041035B	99041057
9A	Bearing Spacer*					21203735
10	Oil Seal – Unitized	21200321A	21200321A	21200321A	21200321A	21205318
10	Oil Seal – Grease (33000 series)					99042026
11	Hub – 8 Bolt	21020750S	21020750S			
11	Hub – 8 Bolt ISO	14205190	14205190	14205190		
11	Hub – 10 Bolt	14203219	14203219	14204561	14204561	21201027S
11	Hub – 10 Bolt ISO	14203219	14203219	14204562	14204562	21205741S
11	Hub – 10 Bolt Offset ISO		21218782S	21210885S		
11	Hub – Twin Alloy Wheels			21206354S	21206354S	
11	Hub – 8 Bolt Japanese			21211159S	21211159S	
11	Hub – 10 Bolt ISO – Alloy (Complete with Brg Cups)			14223111	14223111	
12	Brake Drum – 8 Bolt	21020448S	21211966S	21021317S		
12	Brake Drum – 10 Bolt	21209723S	21211030S	21018986V	21021114AV	21021114AV
12	Brake Drum – 10 Bolt (QE Axle)			21220183V		
12	Brake Drum – 8 Bolt Japanese			21211165S	21212670S	
13	Wheel Nut RH 7/8"BSF	21016416		21016416	21016416	21016416
13	Wheel Nut LH 7/8"BSF	21016417		21016417	21016417	21016417
13	Wheel Nut M22 ISO†	21218643	21218643	21218643	21218643	21218643
13	Wheel Nut M22 ISO Alloy Wheels††	21218644	21218644	21218644	21218644	21218644
13	Wheel Nut M22 DIN	21006511		21006511	21006511	21006511
14	Wheelcone Outer DIN	21006512		21006512	21006512	21006512
15	Wheelcone Inner BSF	21201588		21201588	21201588	21201588
15	Wheelcone Inner DIN	21019026		21019026	21019026	21019026
16	Wheelbolt 7/8" BSF RH Twin	21020487		21018490	21018490	21018490
16	Wheelbolt 7/8" BSF LH Twin	21020488		21018491	21018491	21018491
16	Wheelbolt M22 DIN & ISO Twin	21020997	21020997	21020997	21020997	21020997
16	Wheelbolt 7/8" BSF RH Single	21020735‡		21020735	21020735	
16	Wheelbolt 7/8" BSF LH Single	21020736‡		21020736	21020736	
16	Wheelbolt M22 DIN & ISO Single	21022167	21022167	21022167	21022167	
16	Wheelbolt M22 ISO Twin Alloy Wheels	21206355	21206355	21206355	21206355	
16	Wheelbolt M22 - for Alloy Hub & Twin Alloy Wheels			21223210	21223210	
16	Wheelbolt RH Japanese			21211162	21211162	
16	Wheelbolt LH Japanese			21211163	21211163	
17/18	Dust Cover Pairs	{ 21202329 21202330	21209705 21209706	21008062 21008063	21200920 21200921	21200920 21200921
17/18	Dust Cover Pairs – Beams with Fabricated Anchor Brackets (From June '91)			{ 21220647 21220648	21221567 21221568	
17A	Dust Cover – 'C' Type (From Aug '97)			21224522		
18A	Filler Plate (From Aug '97)			15224518		
19	Screw – Dust Cover	99534001	99534001	99140001	99140001	99140001
19A	Screw – Dust Cover (From June '91)			99546002	99546002	
19B	Nut – Filler Plate (From Aug '97)			99544000		
20	Plug – Dust Cover	21211385	21211385	21211385	21211385	21211385
20A	Plug – Inspection (From June '91)			21220719	21220719	
21	Dust Cover Seal		21213886	21205639	21205639	21205639

\* For Axles before Jan. 1977 PT. No. 21202424 should be used.

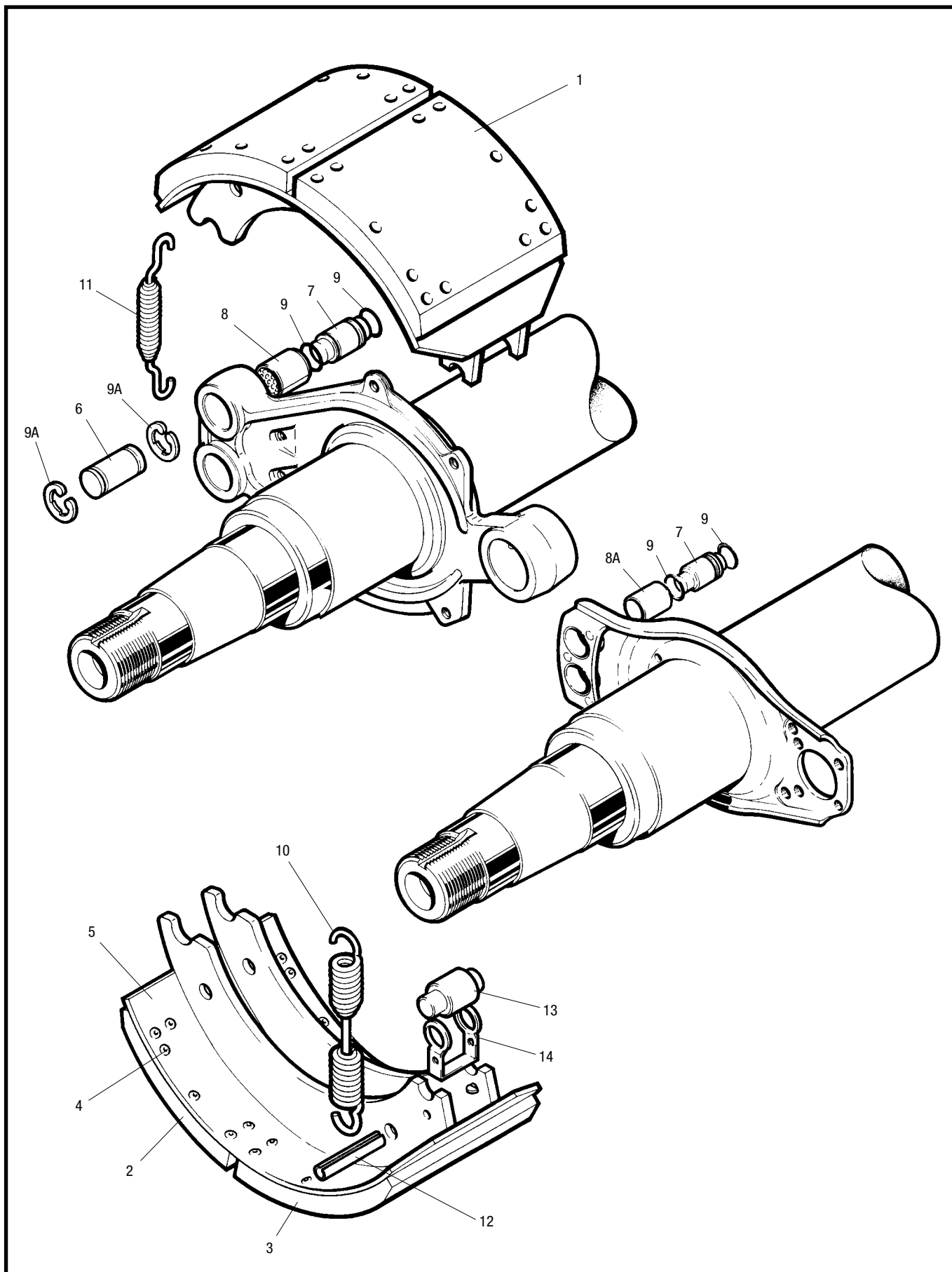
‡ For Single 7/8" BSF 8 Stud PT. No. 21200429/30.

†† See M22 x 1.5 ISO Wheel Nut Rationalisation Table on page 23



an ArvinMeritor brand

# TM Parts List





an ArvinMeritor brand

# TM Parts List

## TM Brake Assembly Parts List

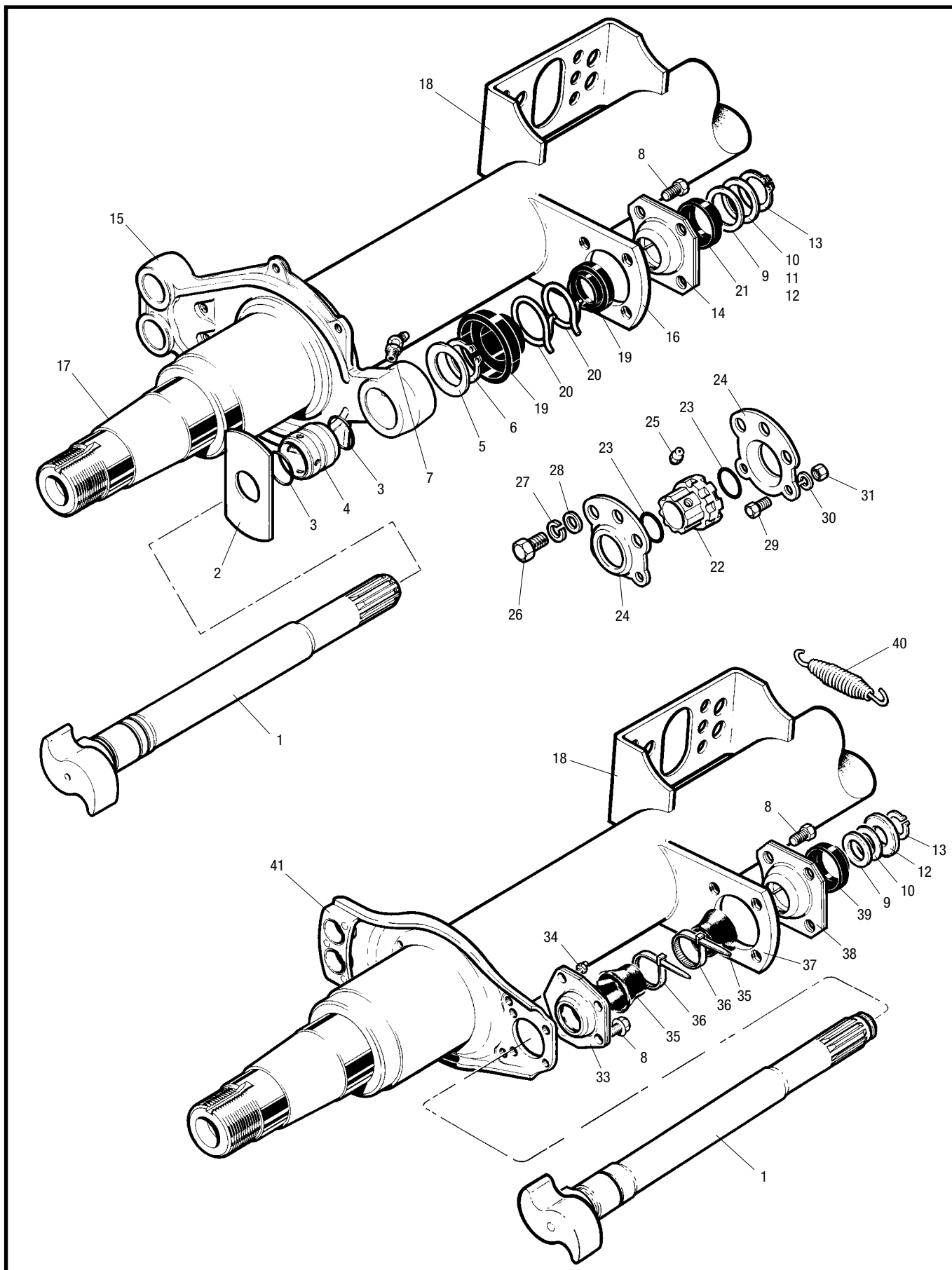
Item	Description	'AC' 310 x 190	'B' 350 x 200	'Q' 420 x 180	'Z' 420 x 220	33000 420 x 220
1	Brake Shoe – Lined Assy Series II	15200106R		15200103R	15200101R	15200101R
1	Brake Shoe – Lined Assy Series III Asbestos Free	15206004R	15209714R	15205536R	15205192R	15205192R
2	Lining – Anchor End Asbestos Free	21200780R	21209710R	21200790R	21200794R	21200794R
2	Lining – Anchor End	21200780R	21209710R	21200790R	21200794R	21200794R
3	Lining Cam End Asbestos Free	21200781R	21209711R	21200791R	21200795R	21200795R
3	Lining Cam End	21200781R	21209711R	21200791R	21200795R	21200795R
4	Rivet	21200761	21200761	21200761	21200761	21200761
5	Brake Shoe Unlined Series III	15206005B	15209713B	15205533S	15205191S	15205191S
5	Brake Shoe Unlined Series II	15200011		15025412S	15200007S	15200007S
6	Anchor Pin Series II	21205204		21205204	21205204	21205204
7	Anchor Pin Series III	21205193G	21205193G	21205193G	21205193G	21205193G
8	Bush	21016666A	21016666A	21016666A	21016666A	21016666A
8A	Bush – Stainless Steel (Fab A/bkt)*			21221028	21221028	
9	'O' Ring	21220668	21220668	21220668	21220668	21220668
9A	Retaining Clip Series II	99504001		99504001	99504001	99504001
10	Release Spring	21220859	21221224	21221224	21221224	21221224
11	Retainer Spring Series III	21205194	21205194	21205194	21205194	21205194
12	Pin	21220171	21220171	21220171	21220171	21220171
13	Cam Roller	21006610	21006610	21006610	21006610	21006610
14	Roller Retainer Clip	21224831	21224831	21224831	21224831	21224831

\* From June 1991.



an ArvinMeritor brand

# TM Parts List





an ArvinMeritor brand

# TM Parts List

## TM Camshaft Assembly Parts List – up to March 2001

Item	Description	'AC' 310 x 190	'B' 350 x 200	'Q' 420 x 180	'Z' 420 x 220	33000 420 x 220	
1	Camshaft RH } 1 Camshaft LH }	See Brake Camshaft Table Page 9					
2	Cam Washer	21202756	21202756	21202756	21202756	21202756	
3	'O' Ring	21016721	21016721	21016721	21016721	21016721	
4*	Bush – Phosphor Bronze Stepped Cam	21209990	21209990	21209990	21209990	21209990	
5	Washer – Bevel	21202757	21202757	21202757	21202757	21202757	
6	Circlip	99070011	99070011	99070011	99070011	99070011	
7	Grease Nipple	99040012	99040009	99040009	99040009	99040009	
8	Screw	99546002	99546002	99546002	99546002	99546002	
9	Washer	21006624	21006624	21006624	21006624	21006624	
10	Washer – Spacer	21006662	21006662	21006662	21006662	21006662	
11	Washer	21006627	21006627	21006627	21006627	21006627	
12	Washer – Rolled Spline C/shafts only	21219862	21219862	21219862	21219862	21219862	
13	Circlip – Rolled Spline C/shaft	99507030	99507030	99507030	99507030	99507030	
13	Circlip	99070006	99070006	99070006	99070006	99070006	
14	Spherical Bearing Assy	15213430	15213430	15213430	15213430	15213430	
15	Anchor Bracket Assy	–	–	–	–	–	
16	Camshaft Bracket	21020787	21209707	21020300	21020300	21201081	
17	Axle Beam	Apply to MERITOR quoting Serial Number (see Ident'n Chart) or Axle Series & Track					
18	Air Chamber Bracket	21024347	21201592	21201592	21201592		
19	Rubber Boot – Large	21204849	21204849	21204849	21204849	21204849	
20	Cable Tie	21221065	21221065	21221065	21221065	21221065	
21	Rubber Boot – Short	21205667	21205667	21205667	21205667	21205667	
22	Spherical Bearing – Nylon	21006585		21006585	21006585		
23	'O' Ring	21014640		21014640	21014640		
24	Housing Spherical Bearing	21006563		21006563	21006563		
25	Grease Nipple	99040012		99040012	99040012		
26	Screw			722311623	722311623		
27	Washer – Spring			841415116	841415116		
28	Washer – Plain			841011116	841011116		
29	Screw			722311021	722311021		
30	Washer – Spring			841415110	841415110		
31	Hex Nut			821136110	821136110		
	<b>From June 1991</b>	<b>– Axle Beams with Fabricated Anchor Brackets</b>					
33	Spherical Bearing – Head End			15224821	15224821		
34	Grease Nipple			99040016	99040016		
34	Grease Nipple (From April '97)			21224520	21224520		
35	Boot – Large			21204849	21204849		
36	Cable Tie			21221065	21221065		
37	Camshaft Bracket			(See Item 16)	(See Item 16)		
38	Spherical Bearing – Spline End			15213430	15213430		
39	Boot – Small			21205667	21205667		
40	External Brake Return Spring			21210215	21210215		
41	Anchor Bracket – Pressed			–	–		
42	Manual Slack Adjuster – 4 Hole Metric (not shown)	21219681	21219681	21219681	21219681	21219681	

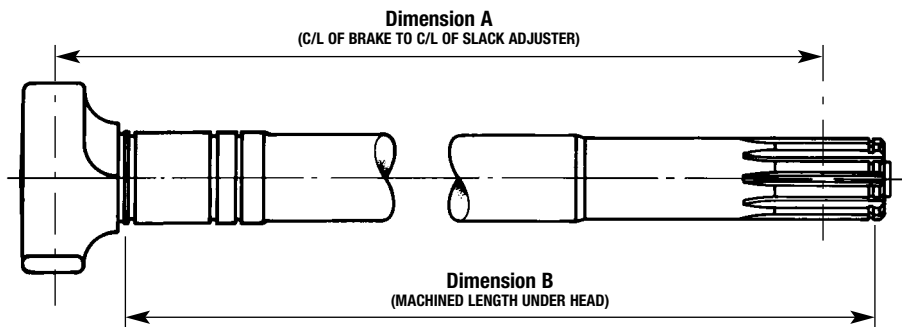
\* Oversize bushes available:  
 Standard Camshaft 21209623  
 Stepped Camshaft 21213259



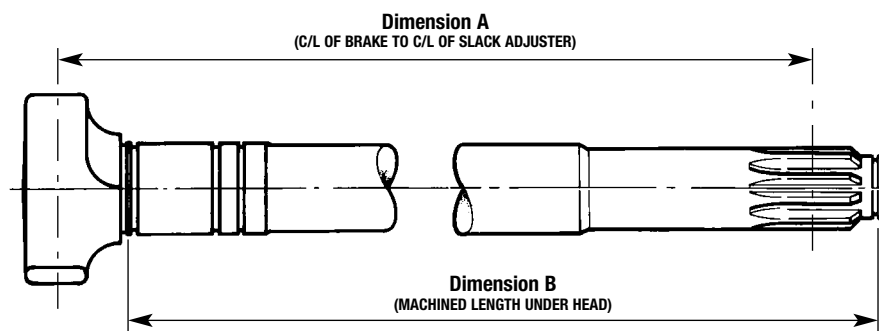
an ArvinMeritor brand

# TM Parts List

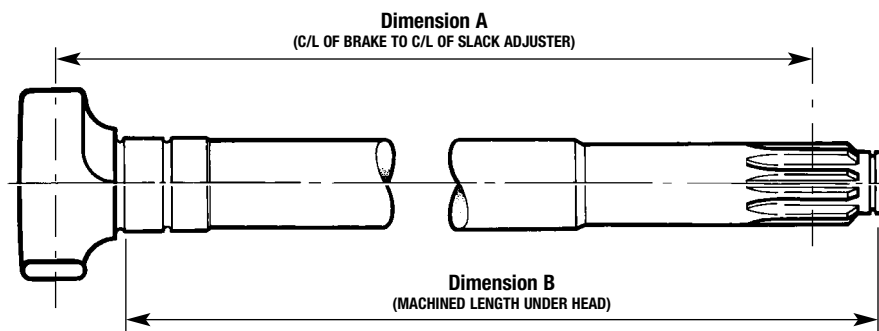
Type 'X'



Type 'Y'



Type 'Z'



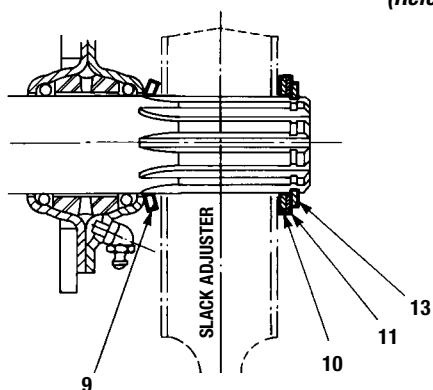
Camshaft Type 'X' – original machined spline, used with forged anchor bracket.

Camshaft Type 'Y' – later rolled spline, used with forged anchor bracket.

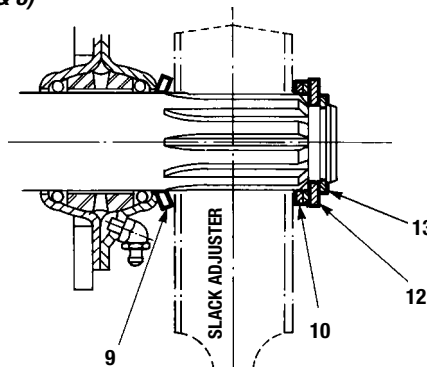
Camshaft Type 'Z' – rolled spline, used with pressed steel anchor bracket.

## CAMSHAFT WASHERS & CIRCLIPS

(Refer also to pages 7 & 8)



Machined Spline Camshafts

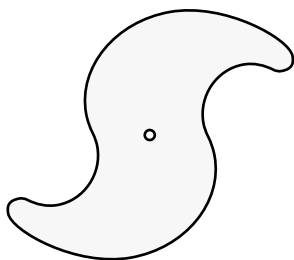


Rolled Spline Camshafts

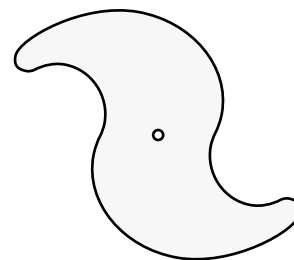
# TM Parts List

## TM Brake Camshaft Table – up to March 2001

Brake Diameter	Dim'n A	Dim'n B	Machined Spline Type 'X'		Rolled Spline Type 'Y'		Rolled Spline Type 'Z'	
			Right Hand	Left Hand	Right Hand	Left Hand	Right Hand	Left Hand
420	521.48	525.50	21202754	21202755	21219257	21219258	21221070	21221071
	476.18	480.20	21210965	21210966	21219259	21219260	21222185	21222186
	412.68	416.70	21210969	21210970	21219263	21219264	21222183	21222184
	253.98	258.00	21210975	21210976	21219269	21219270	21222949	21222950
	293.58	297.60	21210977	21210978	21219271	21219272		
	356.98	361.00	21210981	21210982	21219275	21219276		
	622.98	627.00	21210983	21210984	21219277	21219278	21222189	21222190
	583.48	587.50	21210985	21210986	21219279	21219280	21221194	21221195
	442.78	446.80	21210987	21210988	21219281	21219282		
	564.48	568.50	21210989	21210990	21219283	21219284	21222386	2122237
	228.38	232.40	21212328	21212329	21219287	21219288	21223154	2122315
	542.43	549.00					21222700	21222701
	188.98	193.00	21212642	21212643	21219301	21219302		
	209.48	213.50	21214243	21214244	21219303	21219304		
	632.98	637.00	21215333	21215334	21219305	21219306	21222191	21222192
601.98	606.00	21217167	21217168	21219307	21219308			
605.98	610.00	21219159	21219160	21219309	21219310	21222187	21222188	
350	521.48	525.50	21209702	21209703	21219311	21219312		
	570.98	575.00	21210959	21210960	21219313	21219314		
	188.98	193.00	21211746	21211747	21219315	21219316		
	244.98	249.00	21211752	21211753	21219317	21219318		
	412.68	416.70	21211943	21211944	21219319	21219320		
	605.98	610.00	21212346	21212347	21219321	21219322		
	666.48	670.50	21214723	21214724	21219323	21219324		
	364.58	368.60	21212314	21212315	21219327	21219328		
	687.98	692.00	21214721	21214722	21219329	21219330		
680.08	684.10	21218743	21218744	21219333	21219334			
310	521.48	525.50	21212308	21212309	21219335	21219336		
	412.68	416.70	21212310	21212311	21219737	21219738		
	605.98	610.00	21212318	21212319	21219337	21219338		
	188.98	193.00	21212322	21212323	21219739	21219740		
	169.98	174.00	21212324	21212325	21219341	21219342		
	687.98	692.00	21218821	21218822	21219343	21219344		
	632.98	637.00	21219058	21219059	21219345	21219346		
	570.98	575.00	21220833	21220834	21220815	21220816		



Left hand camshaft end view

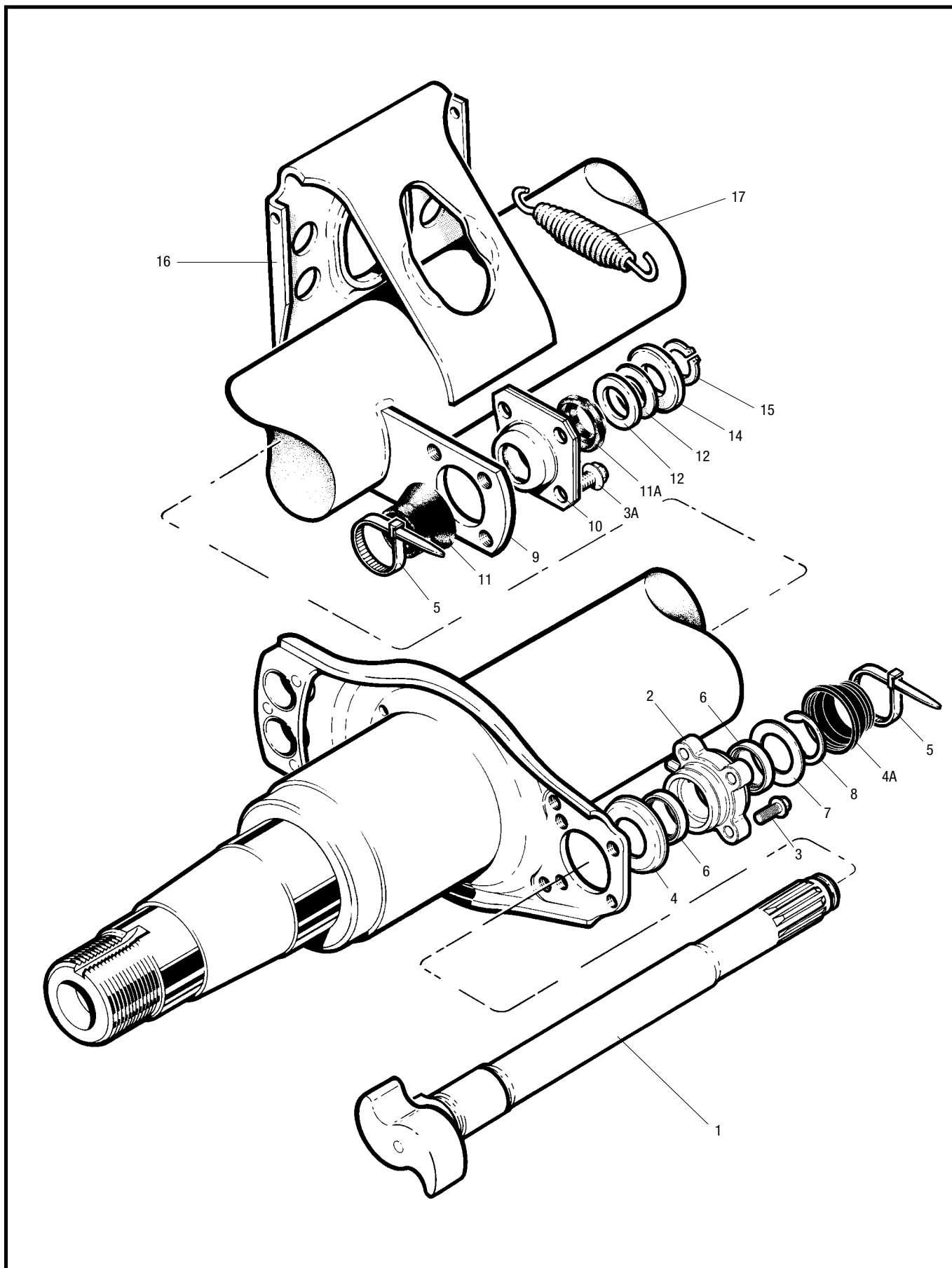


Right hand camshaft end view



an ArvinMeritor brand

# TM Parts List



# TM Parts List

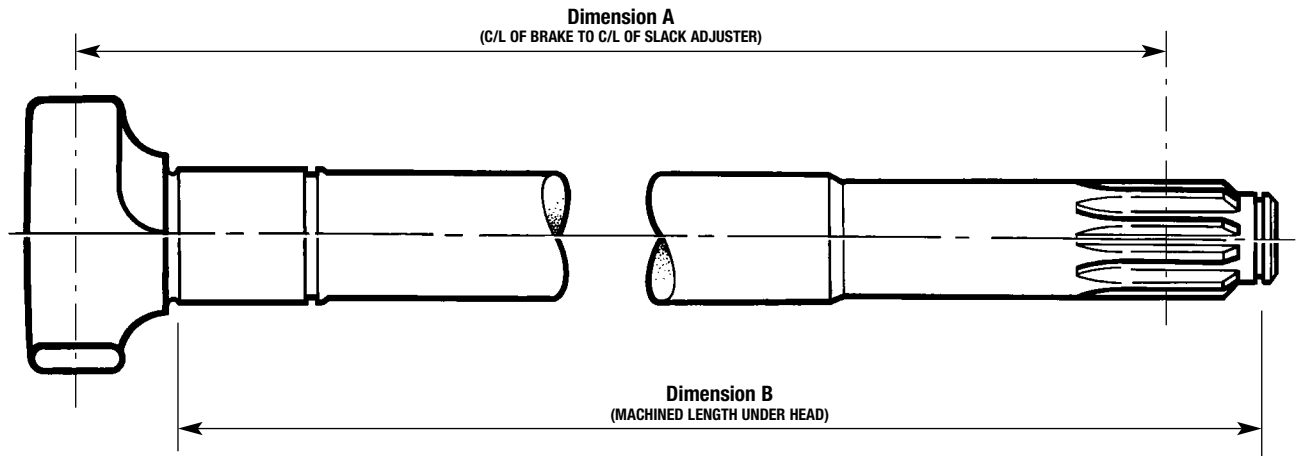
## TM Camshaft Assembly Parts List – from April 2001

Suitable for use with 420 diameter drum brakes only

Item	Description	Part Number
1	Camshaft LH/RH	See table below
2	Cam Head Bearing Assembly**	A23105Q1213
3	Screw, Bearing, Cam End**	99546000
3A	Screw, Bearing, Spline End**	99546002
4	Washer Seal**	1229K4795
4A	Boot, Cam End**	2260K1155
5	Tie Wrap**	21221065
6	Lip Seal (included in Cam Head Bearing Assembly)**	A1205S2645
7	Washer**	1229S4101
8	Snap Ring**	1229T4102
9	Camshaft Bracket	21020300
10	Spline End Bearing Assembly**	15213430
11	Inner Boot, Spline End**	21204849
11A	Outer Boot, Spline End**	21205667
12	Washer, Spacing, Thick**	21006627
13	Washer, Spacing, Thin**	21006662
14	Retaining Washer**	21219862
15	Circlip**	99507030
16	Air Chamber Bracket	21201592
17	Assister Spring	21210215
*18	25g Sachet MERITOR Grease (not shown)**	99226786
19	Grease Nipple Dust Cap (not shown)	2297L7274

\*NB. Item 18 must be used on items 2 & 10.

\*\* All contained in service kit AXL 140

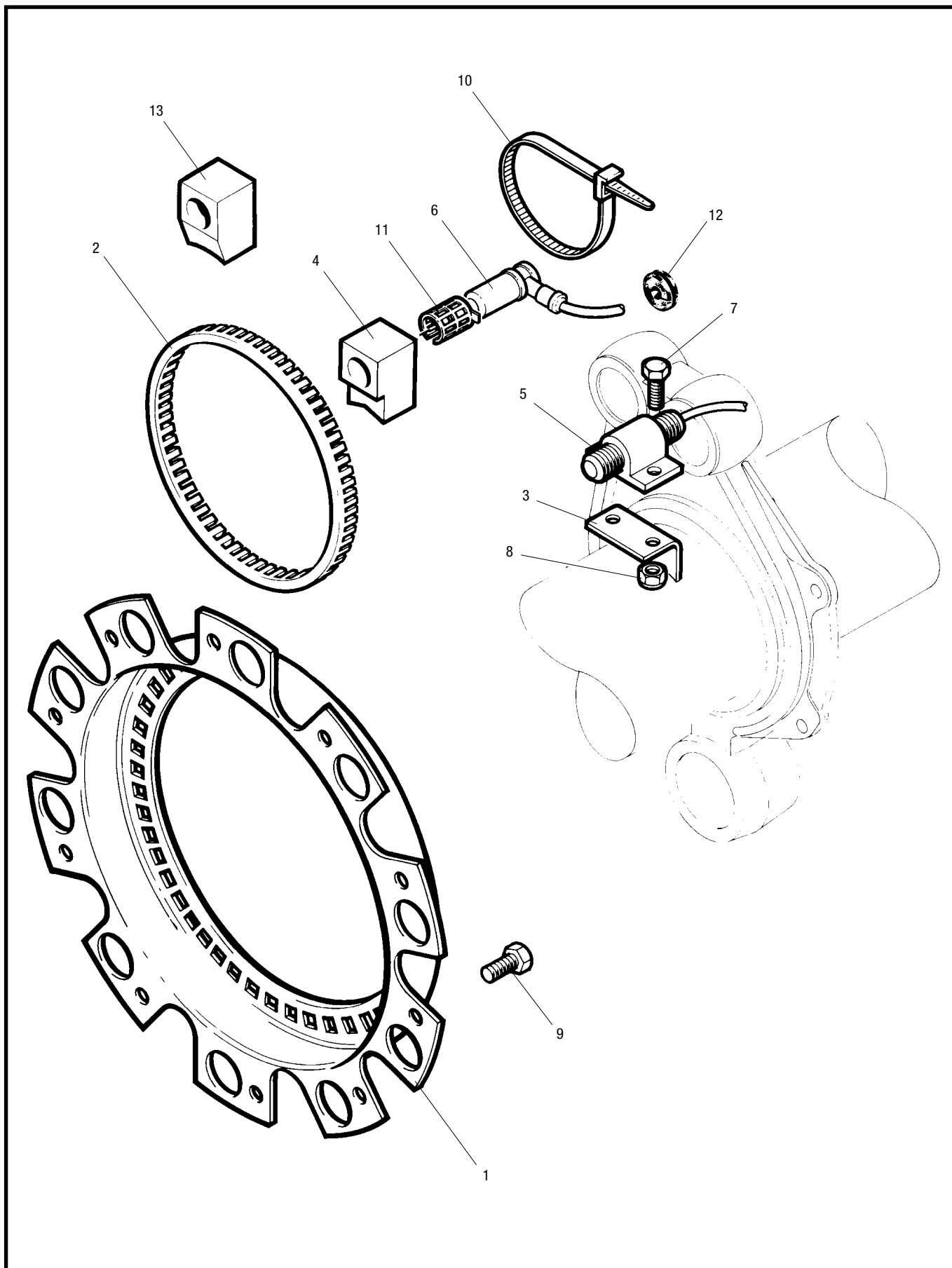


Dimension 'A'	Dimension 'B'	Part Number	
		Right Hand	Left Hand
229.9	232.4	21227113	21227114
412.2	416.7	21227111	21227112
521.0	525.5	21227109	21227110
583.0	587.5	21227107	21227108
605.5	610.0	21227105	21227106
622.5	627.0	21227103	21227104
632.5	637.0	21227101	21227102



an ArvinMeritor brand

# TM Parts List



# TM Parts List

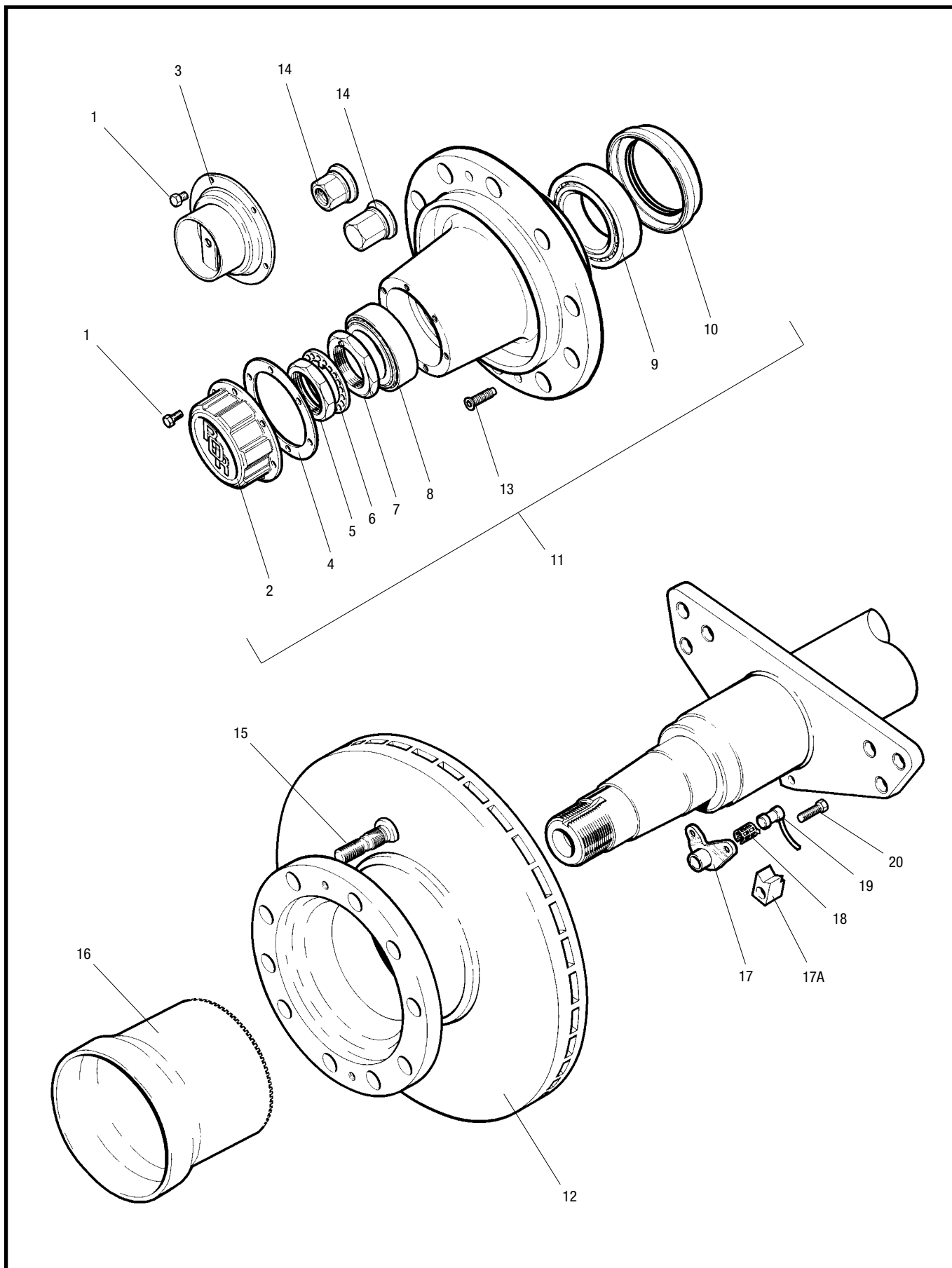
## TM ABS Assembly Parts List

Item	Description	'AC' 310 x 190	'B' 350 x 200	'Q' 420 x 180	'Z' 420 x 220
1	Exciter Ring (Antiskid)	21209521	21209521	21209515	21209515
2	Exciter Ring (Wabco)	21213033	21213033	21213316	21213316
3	Sensor Brkt (Antiskid)	21209522	21209522	21209516	21209516
4	Sensor Brkt (Wabco)	21213035	21213035	21213035	21213035
5	Sensor (Antiskid)	21209517	21209517	21209517	21209517
6	Sensor (Wabco)	21213034	21213034	21213034	21213034
7	Screw-Sensor Attach	21209518	21209518	21209518	21209518
8	Locknut-Sensor Attach	21209519	21209519	21209519	21209519
9	Screw-Exciter Attach	99508001	99508001		
10	Cable Tie	21221065	21221065	21221065	21221065
11	Spring Bush (Wabco)	21213036	21213036	21213036	21213036
12	Grommet	21220842	21220842	21220842	21220842
13	Sensor Brkt (Wabco) – for Kenton Type Beams	21223090	21223090	21223090	21223090



an ArvinMeritor brand

# TM DX195 Parts List



# TM DX195 Parts List

## TM DX195 Hub, Rotor and ABS Assembly Parts List

Item	Description	Part Number
1	Screw, hub cap	99140001
2	Hub cap – Grease filled	21202627
3	Hub cap – Hubodometer	21202627A
4	Gasket, hub cap	21211378
5	Lock nut	21210819
6	Lock washer	21020818
7	Bearing adjustment nut	21205571
8	Outer bearing	99041045
9	Inner bearing	99041035
10	Oil seal	21200321A
11	Hub Assembly (TM DX195)*	14224262
12	Rotor	21224263
13	Rotor retaining screw	99539001
14	Wheel nut, steel wheel††	21218643
14	Wheel nut, capped††	21218645
14	Wheel nut, Aluminium††	21218644
14	Wheel nut, Aluminium capped††	21218621
15	Wheel bolt, steel wheel	21224456
15	Wheel bolt, Aluminium wheel / twin steel	21224957
16	Pole Wheel Assembly	21224458
17	Sensor Bracket (From June 2000)	21226429
17A	Sensor Block (Pre June 2000)	21213035
18	Spring Clip	21213036
19	Sensor	21213034
20	Screw, Sensor Bracket (From June 2000)	99543002

\* Does not contain items 5, 6 & 7

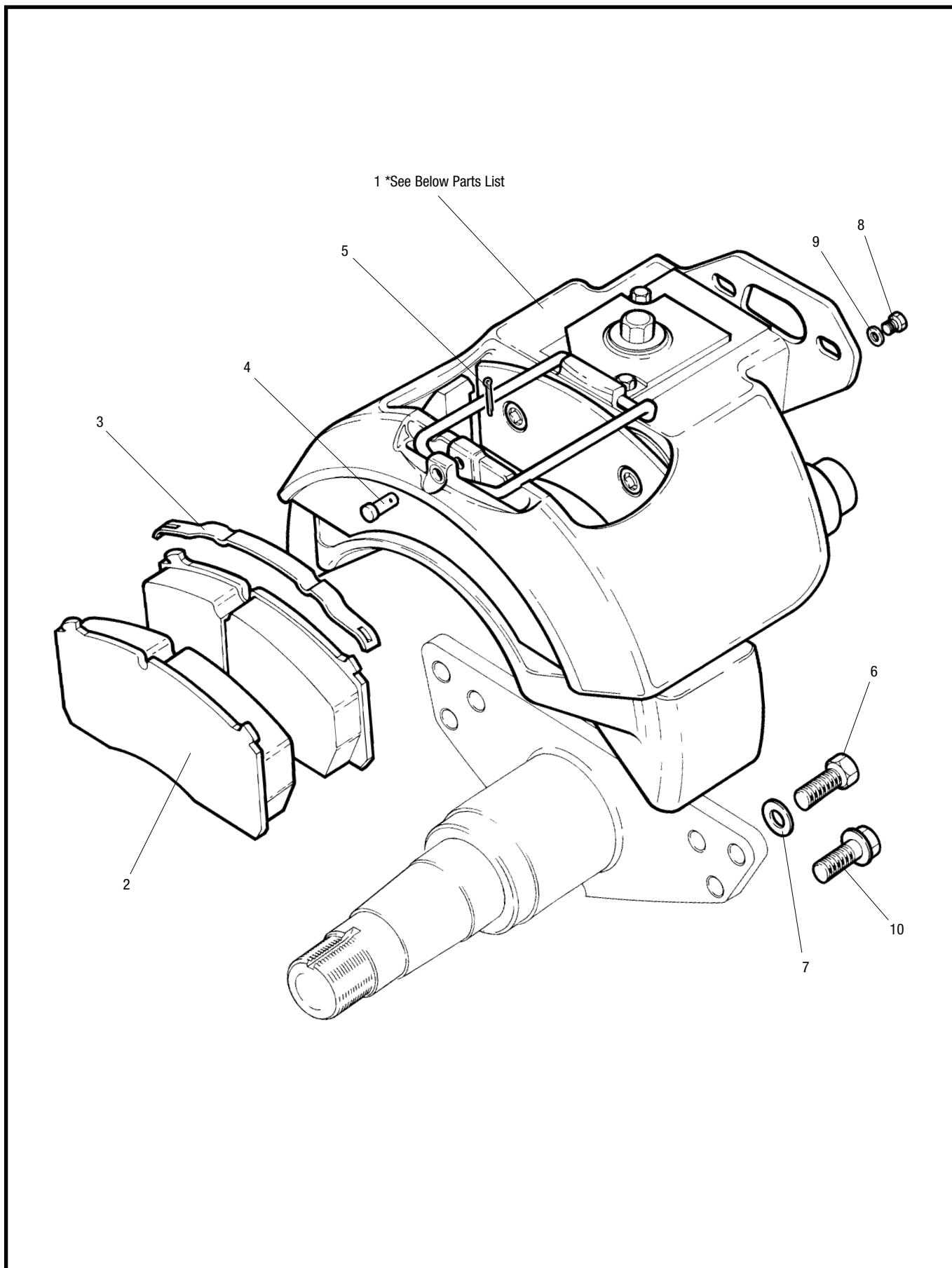
### ††M22 x 1.5 ISO Wheel Nut Rationalisation

WHEEL NUTS 32mm ACROSS FLATS			
NEW PART NUMBER	REPLACES EXISTING NUMBERS	TYPE	FINISH COATING
21226395	21218643 / 21218644	STANDARD OPEN	PHOSPHATE & OIL
21226396	21225528 / 21225529	STANDARD OPEN	DACROMET 500 & OIL
21226397	21218645 / 21218621	CLOSED END	PHOSPHATE & OIL
21226484	N/A	CLOSED END	DACROMET 500 & OIL



an ArvinMeritor brand

# TM DX195 Parts List



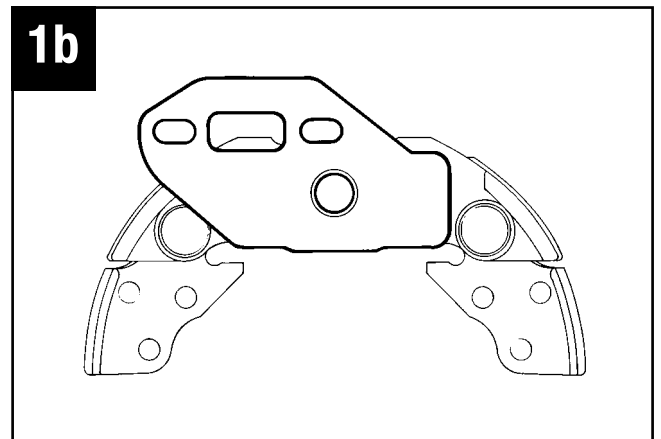
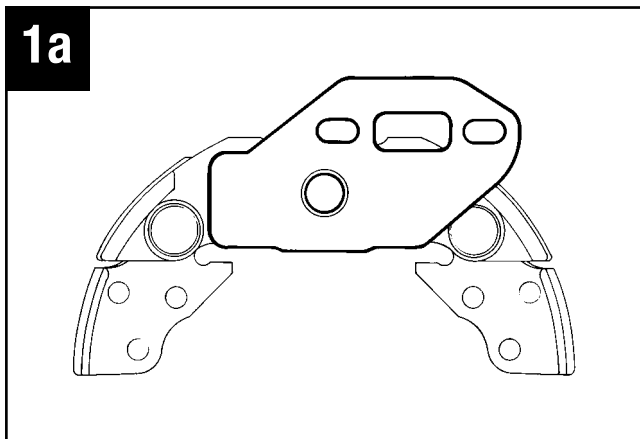
# TM DX195 Parts List

## TM DX195 Brake Assembly Parts List

Item	Description	Part Number
1a*	Brake Assembly DX195 25, 33 & 51 (Service Exchange) L.H.	15224836SR
1b*	Brake Assembly DX195 26, 34 & 52 (Service Exchange) R.H.	15224837SR
2	Disc Pad Kit	DSB2A**
3	Spring Pad	2258C1303
4	Retaining Pin	19X1131
5	Split Pin	21225046
6	M16 x 45 Caliper Mounting Bolt	21224908
7	Hardened Washer	21224978
8	Plug	1250R1006
9	Retaining Washer	1229V4468
10	M16 x 45 Flanged Caliper Mounting Bolt – Replaces items 6 & 7 from July 2001	21227146
11	Stabiliser Bar	2297J6692

\*\* See TM DX195 Service Kits page 20

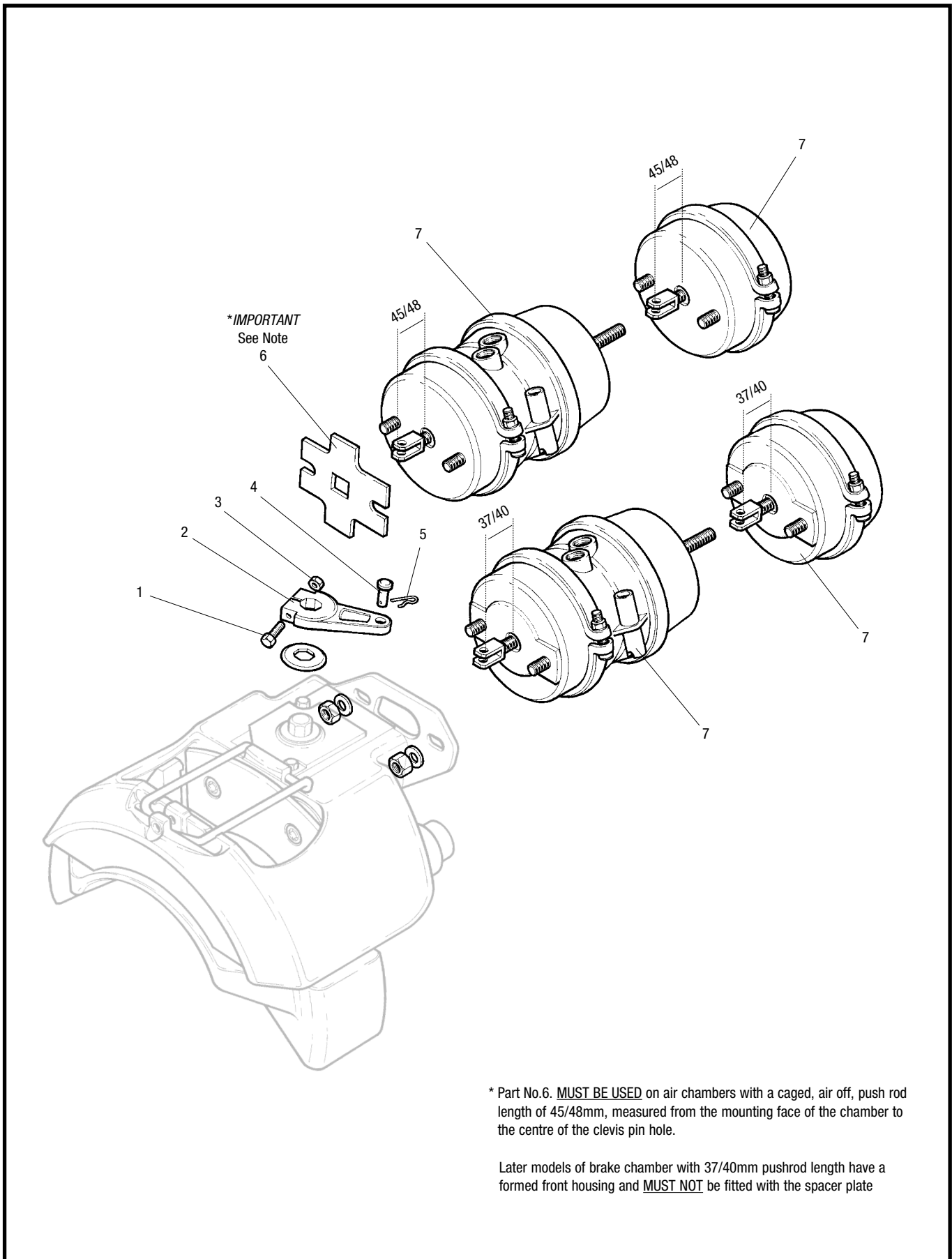
### \* Brake Assembly Rear View





an ArvinMeritor brand

# TM DX195 Parts List



\* Part No.6. MUST BE USED on air chambers with a caged, air off, push rod length of 45/48mm, measured from the mounting face of the chamber to the centre of the clevis pin hole.

Later models of brake chamber with 37/40mm pushrod length have a formed front housing and MUST NOT be fitted with the spacer plate

# TM DX195 Parts List

## TM DX195 Actuation and Air Chambers Parts List

Item	Description	Part Number	
1	Clamp Bolt M8 x 60	MS208060Z1	
2	Lever 80mm	3501P1108	
2	Lever 90mm	3501B1120	
3	Nut M8	21225040	
4	Clevis Pin	21224985	
5	R-Clip	21224996	
		Part Number 45/48mm	Part Number 37/40mm
6*	Spacer Plate	21224995	None
7	T 24/24	41225080	41225763
7	T 22/24	41225120	41225764
7	T 20/24	41224965	41225765
7	T 18/24	41224966	41225766
7	T 24	41225081	41225767
7	T 22	41225118	41225768
7	T 20	41224963	41225769
7	T 18	41224964	41225770

\* Part No.6. Must be used on Air Chambers with a caged, air off, push rod length of 45/48mm.  
 It must never be used on chambers with a caged push rod length of 37/40mm.



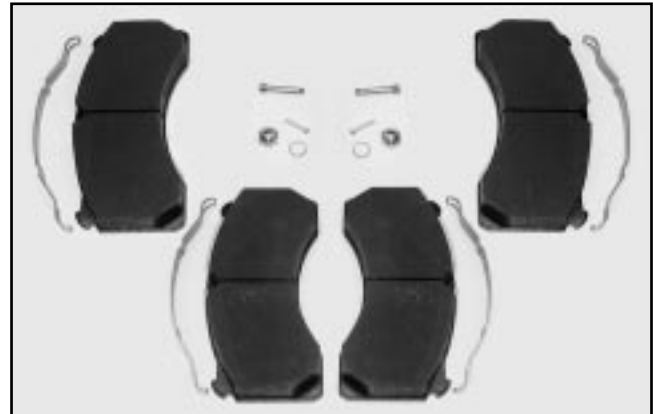
an ArvinMeritor brand

## TM DX195 Service Kits



Slide Pin Kit – All Models

DSB7



Disc Pad Kit

DSB2A

With respect to the above kits, except DSB2A disc pad kit.

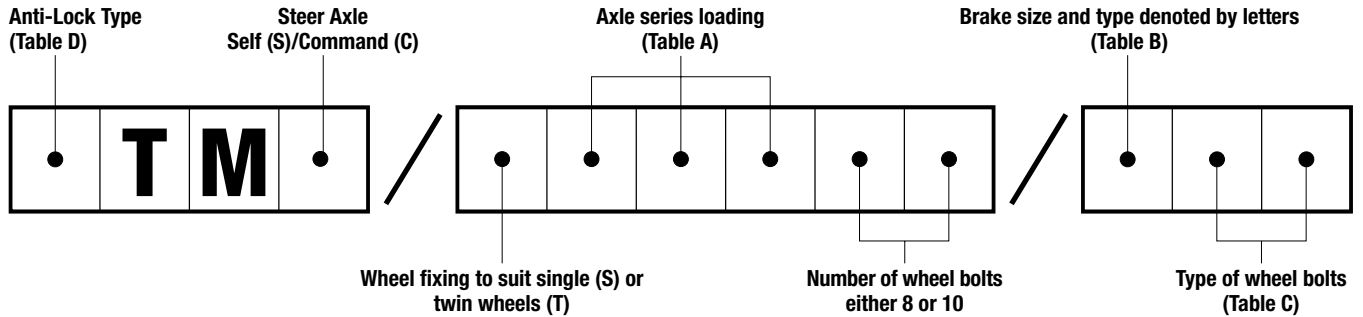
Meritor does not recommend the service of the brake caliper and will not provide any guarantee of the proper function of the brake caliper once fitted by anyone other than a Meritor Operative.

The above kits have a guarantee that they will fit and be of our normal quality standard, but will carry no service warranty.

Instructions specified in the service manual treat the caliper as a service exchange unit that carries its normal Aftermarket warranty.

# Axle Type

## Identifying your Axle Type



**Table A – TM Loading – Standard and Low Loader**

Axle Series	Nominal Highway Axle Rating kg	Maximum Offset mm
20,000	9,500	460
22,500	10,170	490
25,000	11,690	490

The axle ratings shown are for normal highway applications and any special application for installation must be approved by MERITOR Design Engineering.

NB: Offset =  $\frac{\text{Track} - \text{Spring Centres}}{2}$

**Table B – TM Brake Coding Chart**

Axle Letter Code	Brake
AC	310mm x 190mm
B	350mm x 200mm
Q	420mm x 180mm
ZA	420mm x 200mm
Z	420mm x 220mm
AA	380mm x 180mm Stopmaster

**Table C – TM Wheel Fixing Coding Chart**

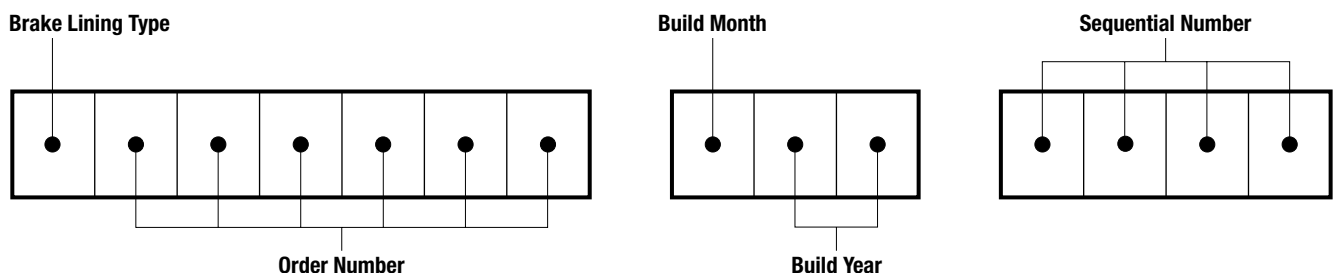
Axle Letter Code	Wheel Mounting
S	$\frac{7}{8}$ " BSF (SMMT)
M	M22mm x 1.5mm metric (DIN)
J	'Trilex' type
MX	ISO 4107 type with M22mm x 1.5mm wheel bolts
MXA	ISO 4107 type with M22mm x 1.5mm wheel bolts for alloy wheels
B	Japanese M20 x 1.5mm

**Table D – Type of Anti-lock Sensing**

Axle Letter Code	Exciter Type	Suitable For
A	60/45T Pressed Steel	Grau MGX2 & MGX2E Bendix MDR & MDRA
W	100/80T Solid Ring	Wabco Bosch Grau DGX & MGX100 Bendix AL-4T

Note: Please refer to relevant anti-lock manufacturers service manual for specific service and replacement instructions.

## Identifying the Serial Number





# Warranty

A comprehensive network of original parts distributors and service stations operate throughout Europe; this is supported internationally with agents strategically placed around the world.

All Meritor replacement parts obtained through original parts distributors are covered by a one year warranty.

**For full warranty terms and conditions see 'Meritor Warranty Terms and Conditions' Publication No 4.84.1**

Meritor reserve the right to make changes in specifications shown herein or add improvements at any time without notice or obligation.

PARTS SHOWN IN THIS SPARES LIST ARE MADE FROM DRAWINGS IN WHICH COPYRIGHT SUBSISTS. THE MAKING OF COPIES OF ANY OF THESE PARTS IS PROHIBITED.

© Meritor HVS Limited



*The high quality assurance management systems applied by Meritor are endorsed with the awarding of ISO 9001, Lloyd's Register Quality Assurance.*



an **ArvinMeritor** brand

**Meritor HVS Limited**  
**Commercial Vehicle Systems**  
Rackery Lane, Llay  
Wrexham LL12 0PB  
U.K.  
Telephone: +44 (0)1978 852141  
Fax: +44 (0)1978 856173

**Meritor HVS (Mityr-Mory) S.A.**  
**Commercial Vehicle Systems**  
Z.I. du Moulin à Vent  
9 rue des Frères Lumière  
77290 Mityr-Mory  
France  
Telephone: +33 (0)1 64.27.44.61  
Fax: +33 (0)1 64.27.30.45

**Meritor HVS (Verona) s.r.l.**  
**Commercial Vehicle Systems**  
Via Monte Fiorino, 23  
37057 San Giovanni Lupatoto  
Verona  
Italy  
Telephone: +39 045 8750399  
Fax: +39 045 8750640 / 8750513

**Meritor HVS (Barcelona) S.A.**  
**Commercial Vehicle Systems**  
Ctra. Granollers - Sabadell Km. 13,3  
Poligono Argelagues  
08185 Lliçà de Vall  
Spain  
Telephone: +34 (9)3 843 95 68  
Fax: +34 (9)3 843 83 59

**ArvinMeritor Inc.**  
**World Headquarters**  
2135 West Maple Road  
Troy, Michigan 48084  
U.S.A.  
Telephone: +1 248 435 1000

**ArvinMeritor**  
**Commercial Vehicle Aftermarket AG**  
Neugutstrasse 89  
8600 Dübendorf  
Switzerland  
Telephone: +41 (0)1 824 8200  
Fax: +41 (0)1 824 8264

**ArvinMeritor**  
**Commercial Vehicle Systems**  
Postbus 255  
5700AG Helmond  
Churchillaan 204A  
5705BK Helmond  
Holland  
Telephone: +31 (0)492 535805  
Fax: +31 (0)492 547175

**ArvinMeritor South Africa**  
**Commercial Vehicle Systems**  
Telephone: +27 (0) 83 602 1603

**For further information contact**

**Meritor HVS Limited**  
**Commercial Vehicle Systems**  
Rackery Lane, Llay  
Wrexham LL12 0PB  
U.K.  
Telephone: +44 (0)1978 852141  
Fax: +44 (0)1978 856173

[www.arvinmeritor.com](http://www.arvinmeritor.com)

© Copyright 2001  
Meritor Automotive  
All rights Reserved

Publication 4.97.1

Descriptions and specifications were in effect at the time of publication and are subject to change without notice or liability. Meritor reserve the right to make design improvements, change or discontinue parts at any time.

**ArvinMeritor**™